

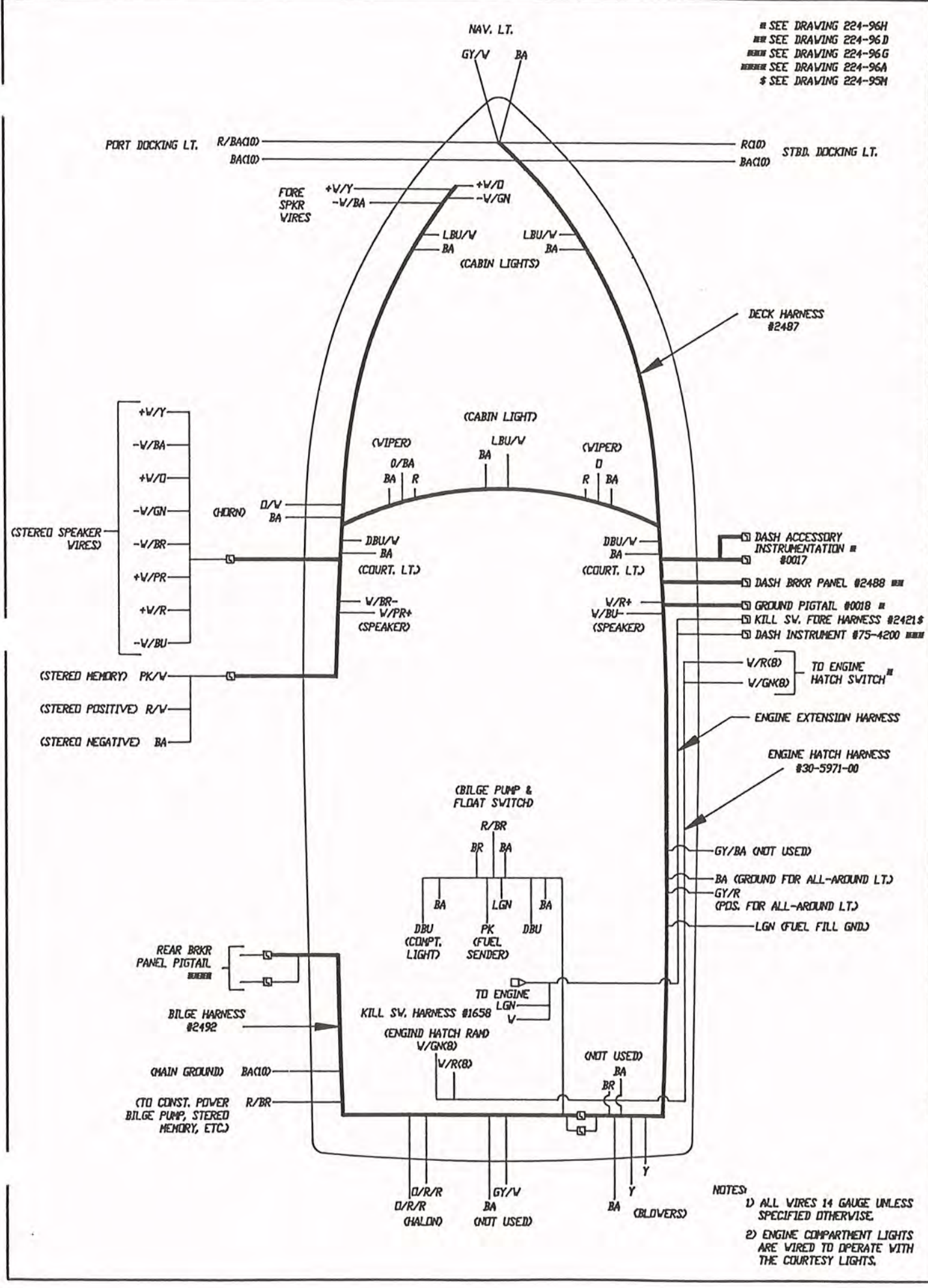
TITLE: F-223 SS
 UPPER DASH
 WIRING DIAGRAM
 DR BY: KKR CH BY: JES-2
 DATE: 7/22/88 NO: 224-96G

FROM HIN # **	TO HIN # *	DR	CH	DATE
FROM HIN # **	TO HIN # *			
FROM HIN # **	TO HIN # *			
FROM HIN # **	TO HIN # *			
FROM HIN # D7230	TO HIN # **			

4					
3					
2					
1					
#					

THUNDERBIRD PRODUCTS
 P.O. BOX 501
 DECATUR, IN 46733
 (219) 724-9111

REVISIONS



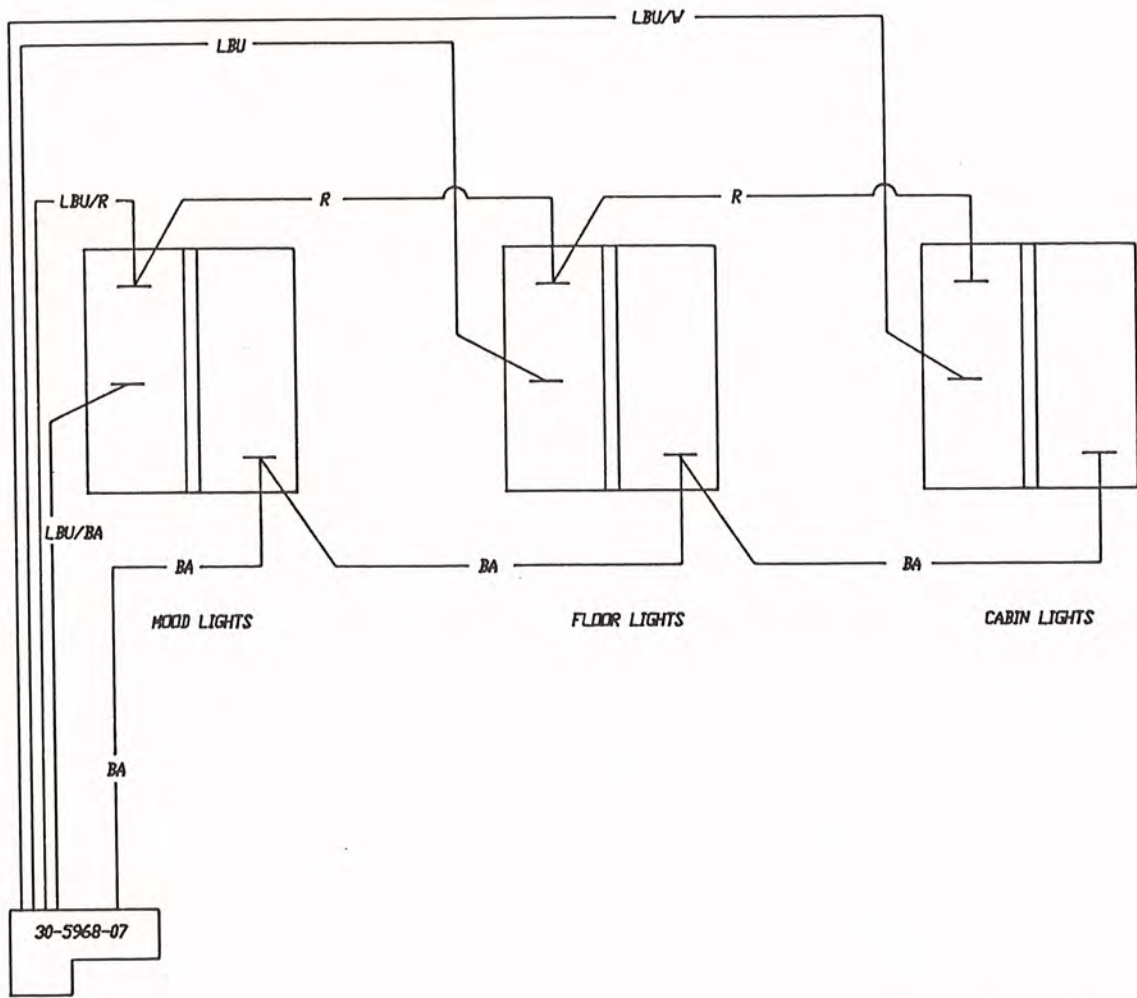
SEE DRAWING 224-96H
 ## SEE DRAWING 224-96D
 ### SEE DRAWING 224-96G
 #### SEE DRAWING 224-96A
 \$ SEE DRAWING 224-95H

TITLE: F-223 SS LAYOUT WIRING DIAGRAM		DR BY: KKR	CH BY: JPL	NO.: 224-96
FROM	TO	DATE	DR	CH
FROM HIN #	TO HIN #			
FROM HIN #	TO HIN #			
FROM HIN #	TO HIN #			
FROM HIN #	TO HIN #			
FROM HIN #	TO HIN #			

NO.	REVISIONS
4	
3	
2	
1	
#	

THUNDERBIRD PRODUCTS
 P.O. BOX 501
 DECATUR, IN 46733
 (219) 724-9111

NOTES:
 1) ALL WIRES 14 GAUGE UNLESS SPECIFIED OTHERWISE.
 2) ENGINE COMPARTMENT LIGHTS ARE WIRED TO OPERATE WITH THE COURTESY LIGHTS.

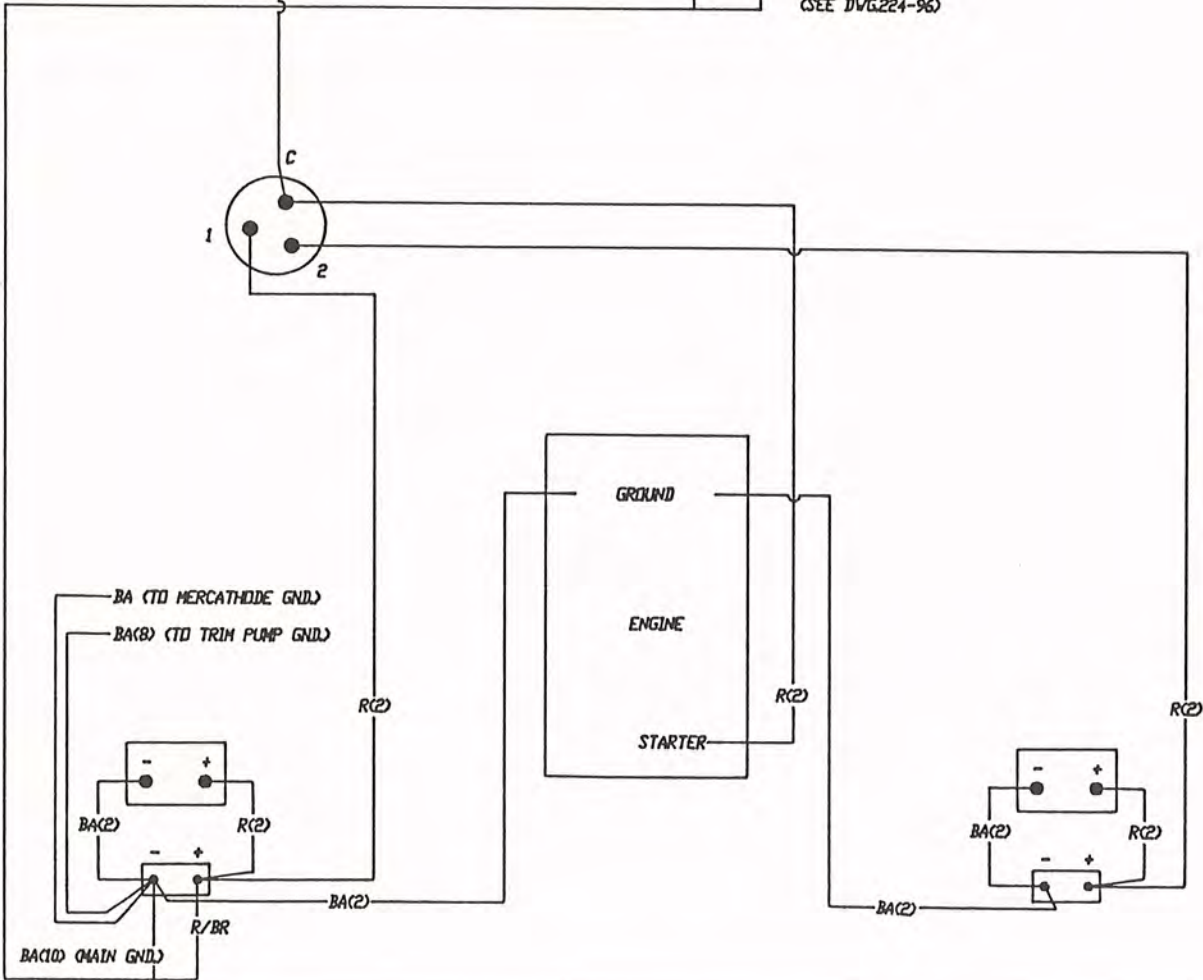
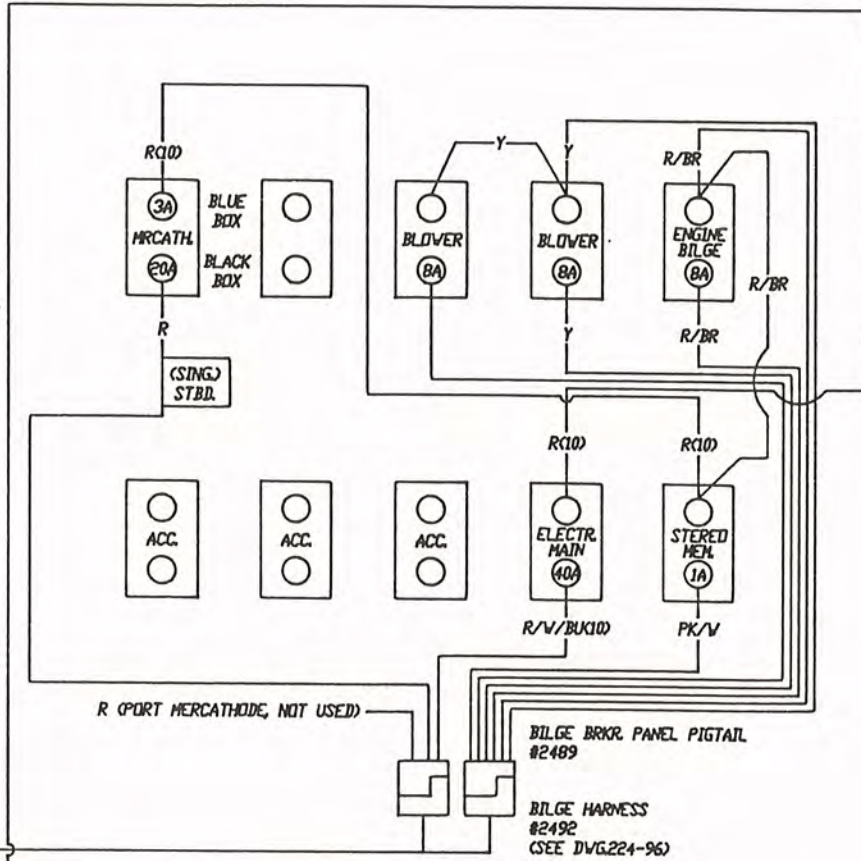


INTERIOR LT. PIGTAIL
PLUGS INTO
DECK HARNESS #2487
(SEE DWG 224-96)

NOTE:
1) ALL WIRES 14 GAUGE UNLESS
SPECIFIED OTHERWISE.

TITLE: F-223 SS		TO HIN # *	FROM HIN # *	DR	CH	DATE
CABIN SWITCH		TO HIN # *	FROM HIN # *			
DIAGRAM		TO HIN # *	FROM HIN # *			
DR BY: KKR		TO HIN # *	FROM HIN # *			
CH BY: J/WJ		TO HIN # *	FROM HIN # D7400			
DATE: 2-29-88		TO HIN # *				
INO: 224-95G		TO HIN # *				
REVISIONS						
4						
3						
2						
1						
#						
THUNDERBIRD PRODUCTS P.O. BOX 501 DECATUR, IN 46733 (219) 724-9111						

- NOTES
 1) MERCATHODE BRKR NOT REQUIRED WITH SINGLE BATTERY INSTALLATION
 2) ALL WIRES 14 GAUGE UNLESS SPECIFIED OTHERWISE



TITLE: F-223 SS
 BILGE WIRING
 DIAGRAM

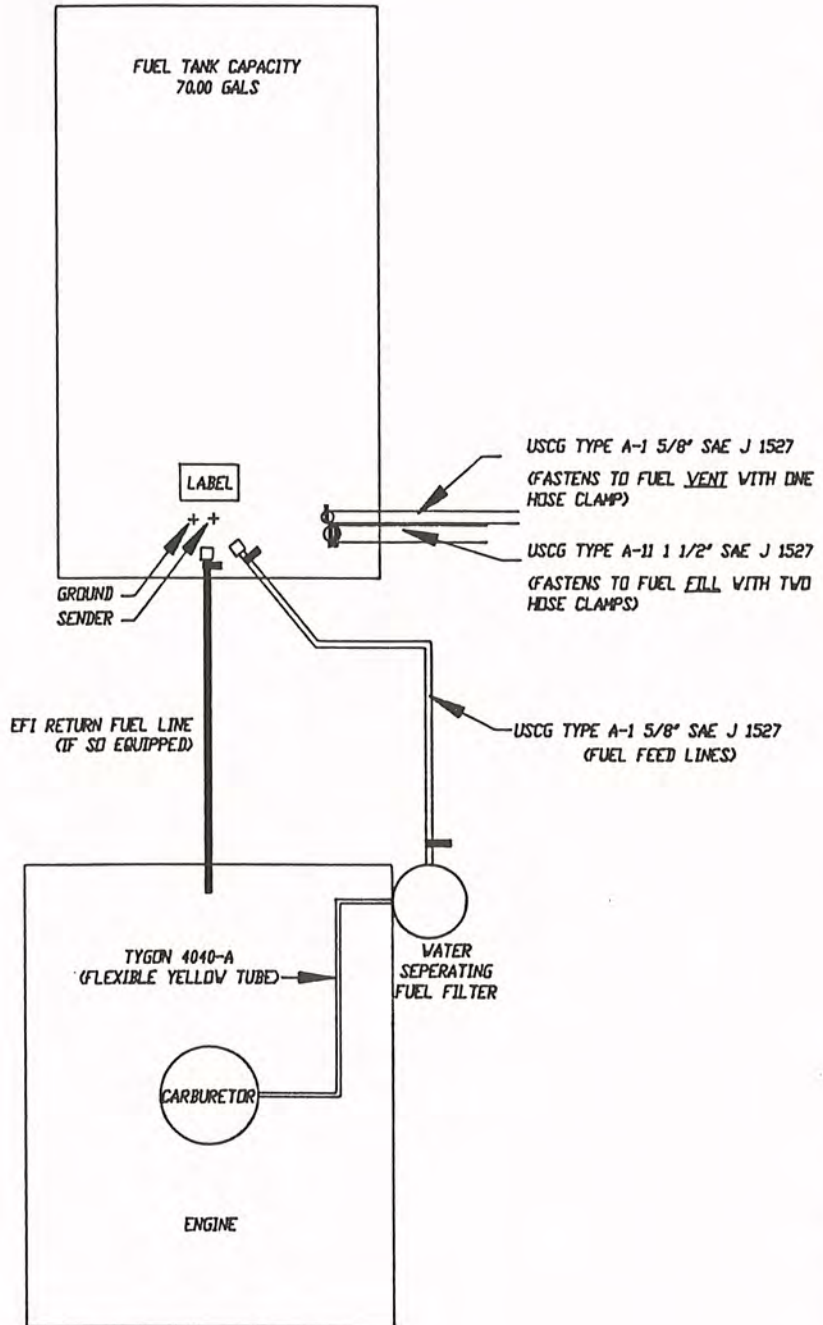
DR BY: KKR
 CH BY: /
 DATE: 2/15/88
 NO: 224-95A

FROM HIN #	TO HIN #	CH	DATE
4	3		
3	2		
2	1		
1	1		

DR

REVISIONS

THUNDERBIRD PRODUCTS
 P.O. BOX 501
 DECATUR, IN 46733
 (219) 724-9111

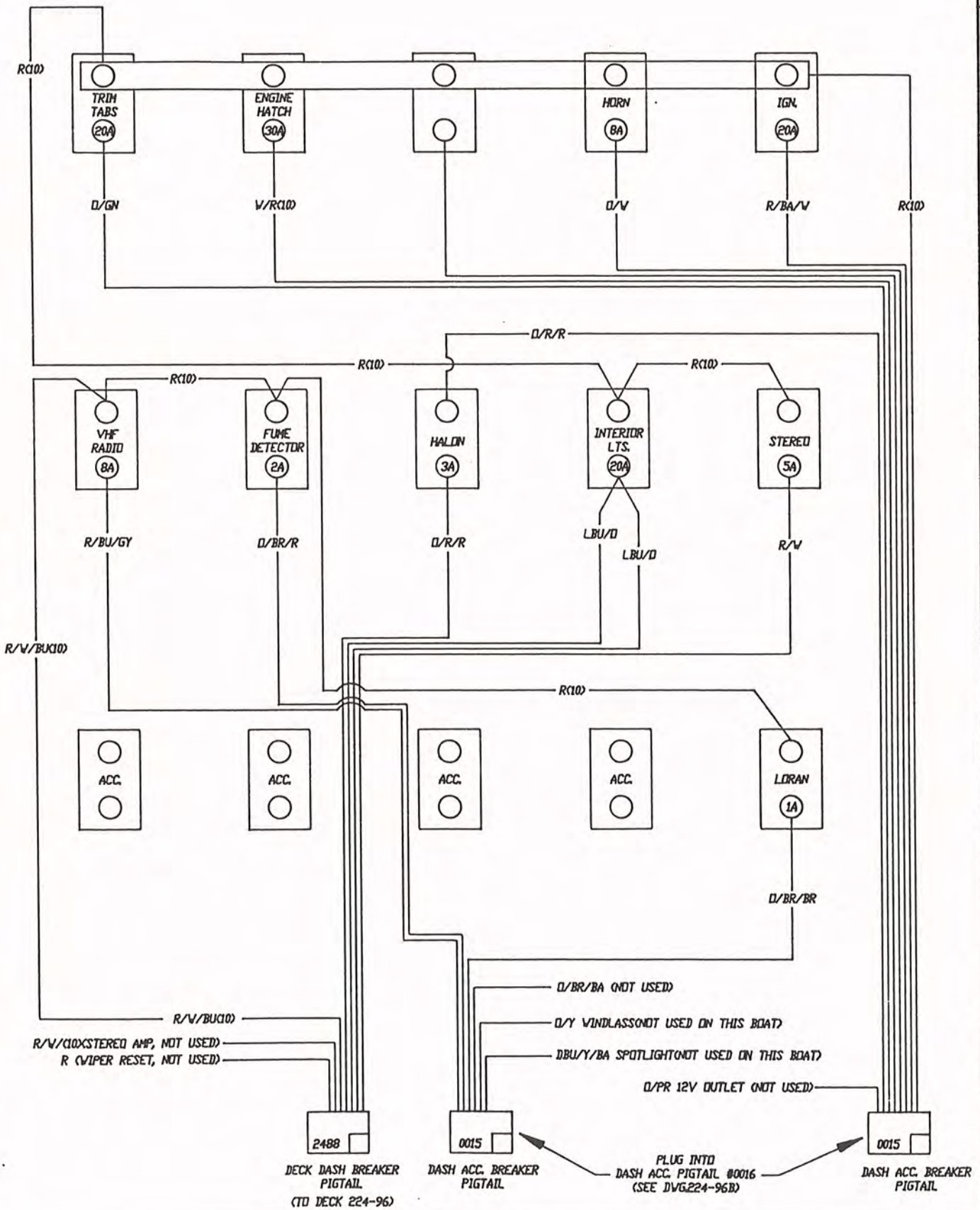


REVISIONS		DR	CH	DATE	FROM HIN #	TO HIN #	TITLE: F-223 SS
4					FROM HIN #	TO HIN #	FUEL DIAGRAM
3					FROM HIN #	TO HIN #	
2					FROM HIN #	TO HIN #	
1					FROM HIN #	TO HIN #	
					FROM HIN #	TO HIN #	

DR BY: KKR CH BY: P.S.
DATE: 1-24-88 NO.: 224-94

THUNDERBIRD PRODUCTS
P.O. BOX 501
DECATUR, IN 46733
(219) 724-9111

NOTES:
 1) ALL WIRES 14 GAUGE UNLESS SPECIFIED OTHERWISE

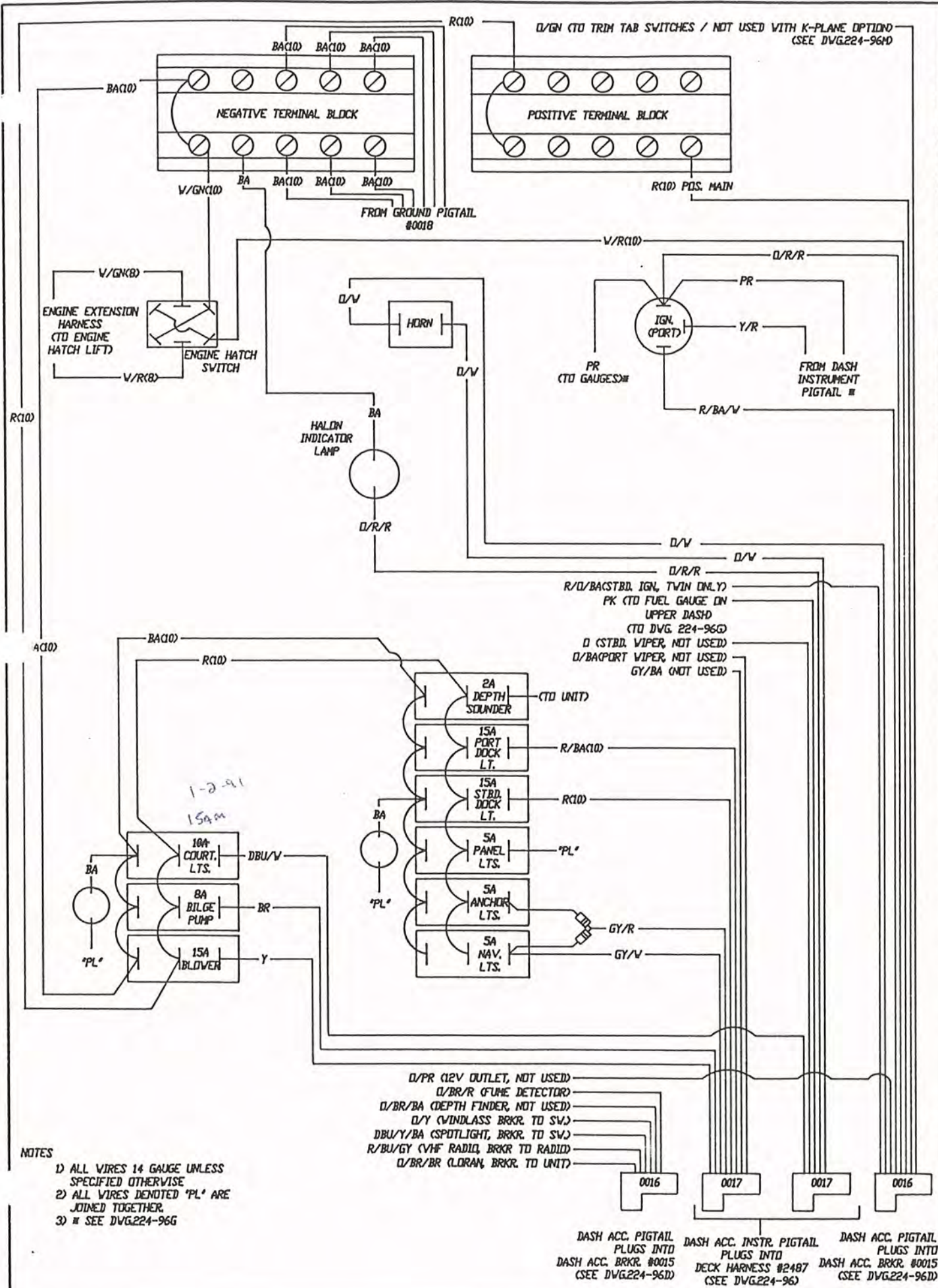


TITLE: D-223 SS DASH BREAKER PANEL WIRING DIAGRAM			
DR	CH	DATE	NO.
4			1
3			2
2			3
1			4

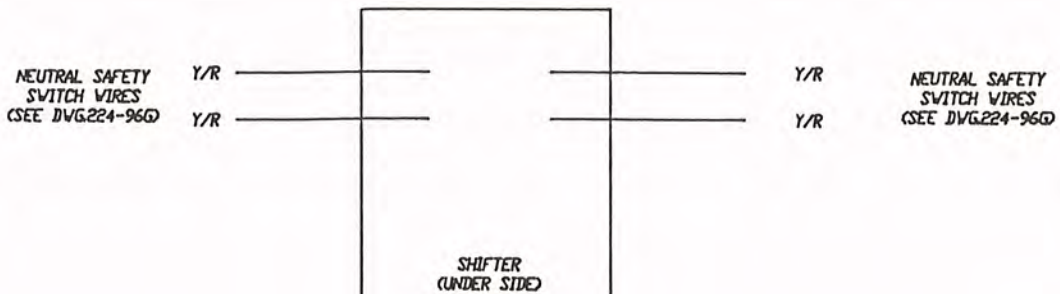
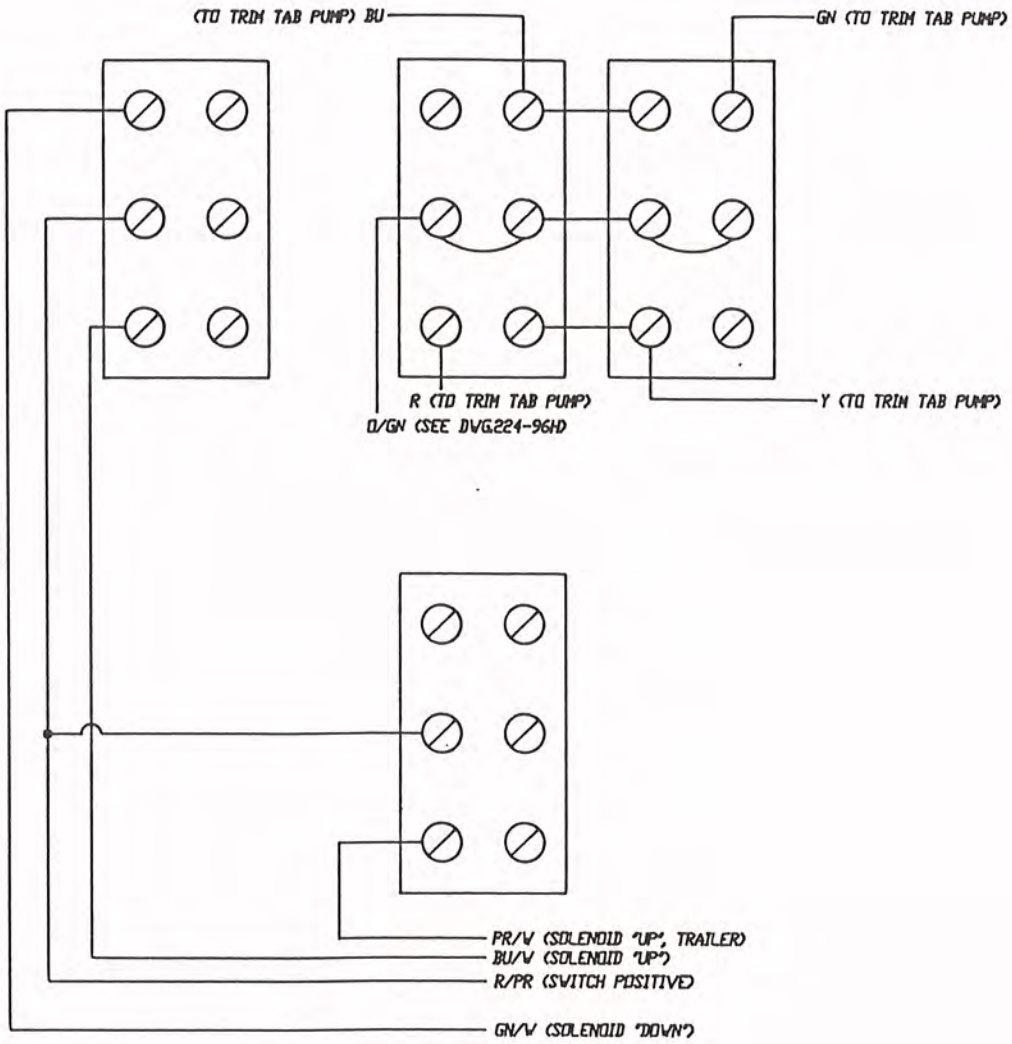
DR BY: KKR CH BY: JLD
 DATE: 2/29/88 NO.: 224-96D

REVISIONS

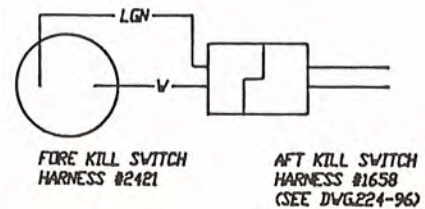
THUNDERBIRD PRODUCTS
 P.O. BOX 501
 DECATUR, IN 46733
 (219) 724-9111



TITLE: F-223 SS		LOWER DASH	
WIRING DIAGRAM		DR BY: KKR LCH BY: JJK	
DATE: 02-23-88		NO.: 224-96H	
TO HIN #	FROM HIN #	TO HIN #	FROM HIN #
TO HIN #	FROM HIN #	TO HIN #	FROM HIN #
TO HIN #	FROM HIN #	TO HIN #	FROM HIN #
TO HIN #	FROM HIN #	TO HIN #	FROM HIN #
DR	CH	DATE	REVISIONS
			4
			3
			2
			1
			#
THUNDERBIRD PRODUCTS			
P.O. BOX 501			
DECATUR, IN 46733			
(219) 724-9111			



- NOTES:
- 1) ALL WIRES 14 GAUGE UNLESS SPECIFIED OTHERWISE
 - 2) SEE YOUR MERCUISER LITERATURE FOR MORE INFORMATION



TITLE: F-223 SS			
SHIFTER WIRING			
DIAGRAM			
DR	BY	CHK	BY
DATE	2-29-88	NO:	224-96M
TO HIN #	*	FROM HIN #	*
TO HIN #	*	FROM HIN #	*
TO HIN #	*	FROM HIN #	*
TO HIN #	*	FROM HIN #	M789
DR	CH	DATE	
REVISIONS			
4			
3			
2			
1			
#			

THUNDERBIRD PRODUCTS
P.O. BOX 501
DECATUR, IN 46733
(219) 724-9111