

F-252 BR DIAGRAM INDEX

252 BR

BONDING

BONDED EQUIPMENT. 120

DC CIRCUITS

BLOWERS

engine compartment. 002a

DC SUPPLY SYSTEM. 001a

ENGINE HATCH. 003

HALON (plcmnts & light). 005

HORN. 006

IGNITION

gas. 007a

INSTRUMENTATION

dash panels 008a

gauges. 008

LIGHTS

courtesy/engine room. 010b

navigation. 010h

MACERATOR. 011

plumbing. 011b

PUMP

engine room bilge. 013b

water. 013e

TRIM TABS

Merc. 015a

ELECTRONICS

STEREO SYSTEM

stereo. 140

VHF RADIO. 144

FUEL SYSTEMS

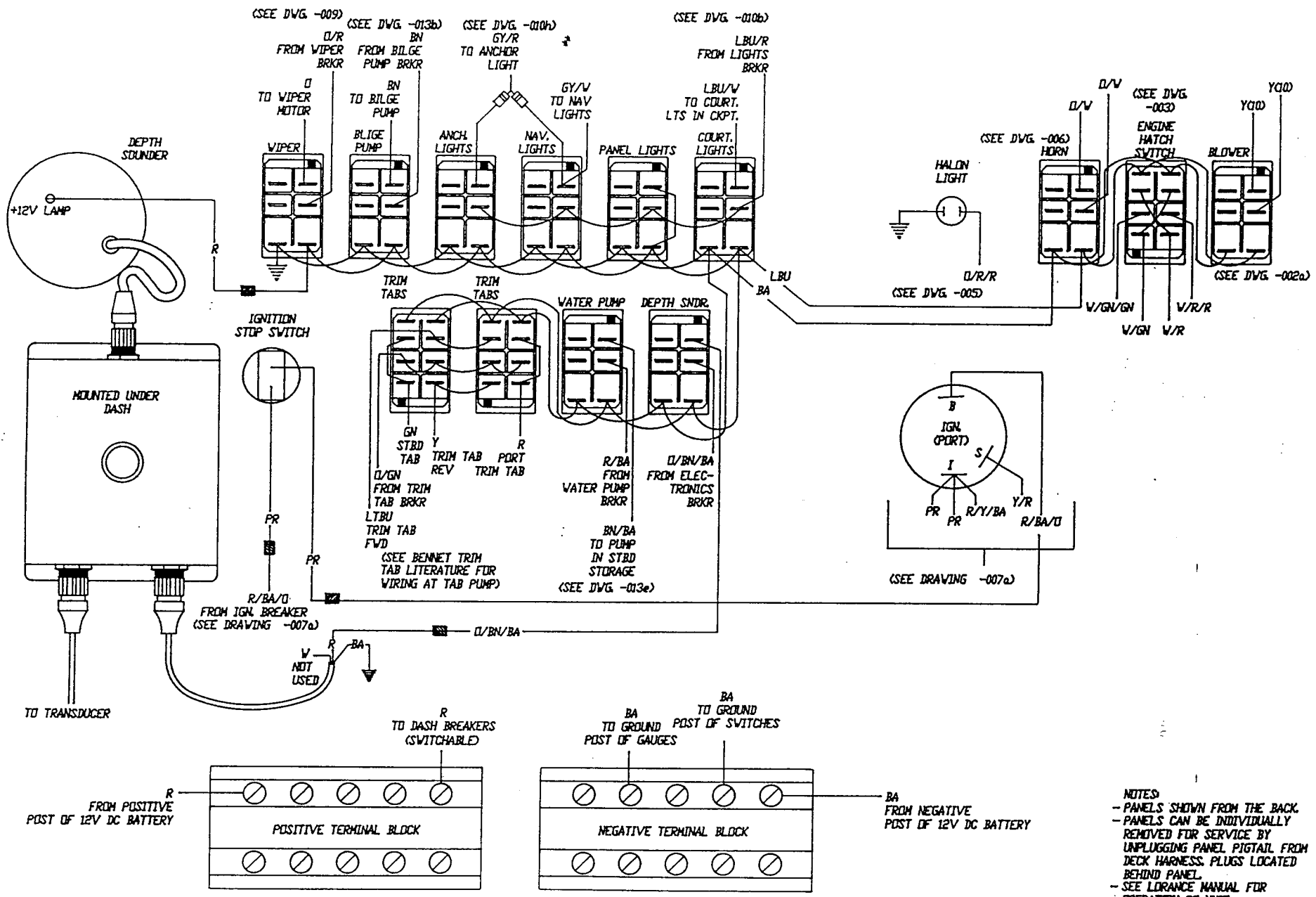
ENGINES

gas. 130a

PLUMBING

DRAINAGE. 131b

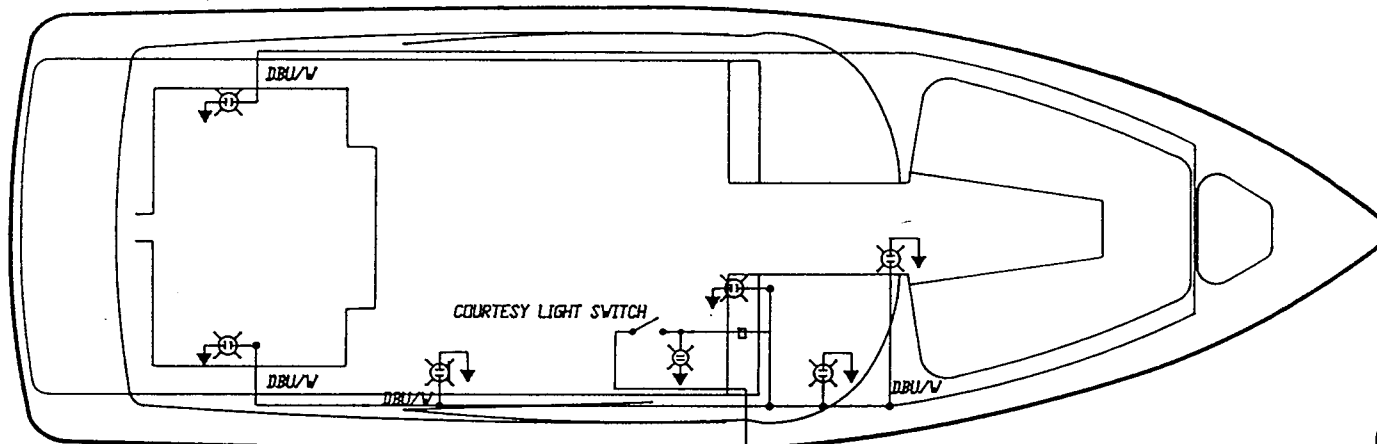
WATER LINES. 131



NOTES
 - PANELS SHOWN FROM THE BACK.
 - PANELS CAN BE INDIVIDUALLY REMOVED FOR SERVICE BY UNPLUGGING PANEL PIGTAIL FROM DECK HARNESS. PLUGS LOCATED BEHIND PANEL.
 - SEE LORANCE MANUAL FOR OPERATION OF UNIT

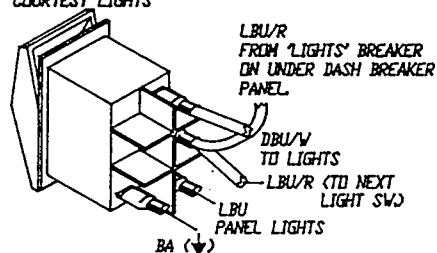
THUNDERBIRD PRODUCTS
 P.O. BOX 501
 DECATUR, IN 46733
 (219) 724-9111

REV	DESCRIPTION	DR	CH	DATE	FROM HIN #	TO HIN #	TITLE
4							TITLE: F-252 BR
3							DASH ACC. SWITCH PANEL
2							CLOVER DASH
1							DR BY: KKE CH BY: RCE
#	REVISIONS						DATE: 9-18-92 NO.: 252-009 a



CODE	BASE COLOR	STRIPE
BA	BLACK	
DBU/V	DARK BLUE	WHITE

ACCESSORY SWITCH PANEL
(SHOWING BACK SIDE)
COURTESY LIGHTS

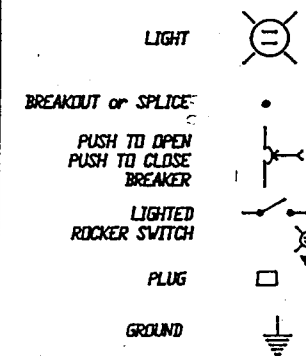


15A
LIGHTS
+12V DC
SWITCHED
BATTERY

NOTES:

COURTESY LIGHTS ARE POWERED BY A 12V BATTERY.
TO OPERATE:
1. THE BATTERY SELECTOR SWITCH FOUND IN THE PORT COCKPIT STORAGE AREA MUST BE TURNED TO 'DN'.
2. THE COURTESY LIGHTS' LIGHTED ROCKER SWITCH AT THE DASH IS NOW SUPPLIED WITH 12V TO TURN THE COURTESY LIGHTS ON.

LEGEND



THUNDERBIRD PRODUCTS
P.O. BOX 501
DECATUR, IN 46733
(219) 724-9111

4
3
2
1
#

REVISIONS

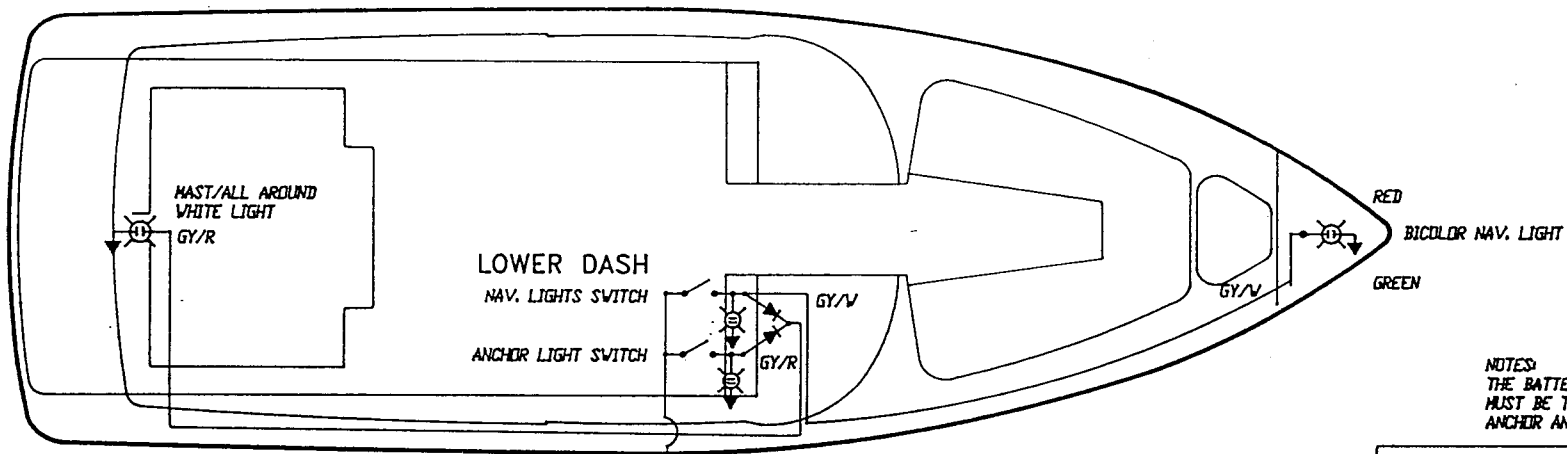
DR CH DATE

FROM HIN # *
FROM HIN # *
FROM HIN # *
FROM HIN # *
FROM HIN # *

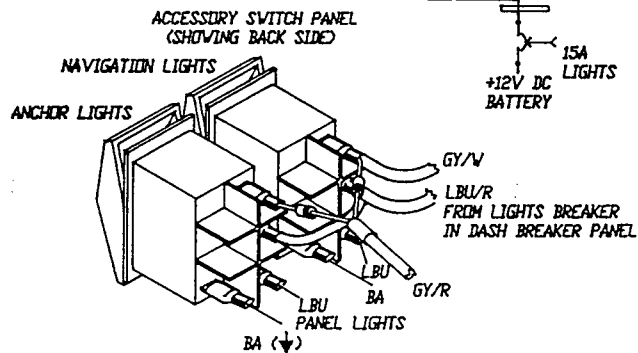
TO HIN # *
TO HIN # *
TO HIN # *
TO HIN # *
TO HIN # *

TITLE: F-252 BR
COURTESY LIGHTS

DR BY: KKE CH BY: RCE
DATE: 6-11-92 NO. 252-010 b



NOTES:
THE BATTERY SELECTOR SWITCH
MUST BE TURNED ON TO OPERATE
ANCHOR AND NAVIGATION LIGHTS.



LEGEND

LIGHT

PUSH TO OPEN
PUSH TO CLOSE
BREAKER:

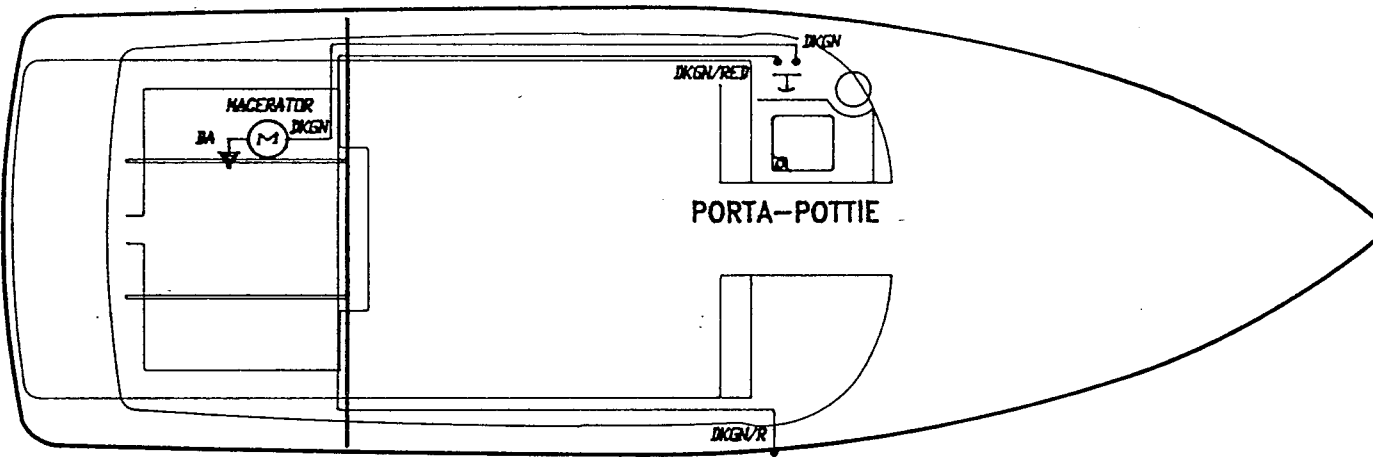
ARROW SHOWS
DIRECTION
OF CURRENT
FLOW } DIODE

LIGHTED
ROCKER SWITCH

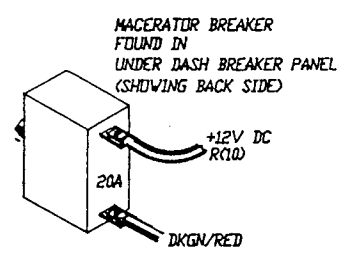
PLUG

GROUND

THUNDERBIRD PRODUCTS P.O. BOX 501 DECATUR, IN 46733 (219) 724-9111	4					FROM HIN # *	TO HIN # *	TITLE: F-252 BR NAVIGATION LIGHTS DR BY: KKE CH BY: R.E. DATE: 9-16-92 NO. 252-010 h
	3					FROM HIN # *	TO HIN # *	
	2					FROM HIN # *	TO HIN # *	
	1					FROM HIN # *	TO HIN # *	
	#					FROM HIN # *	TO HIN # *	
		REVISIONS	DR	CH	DATE			



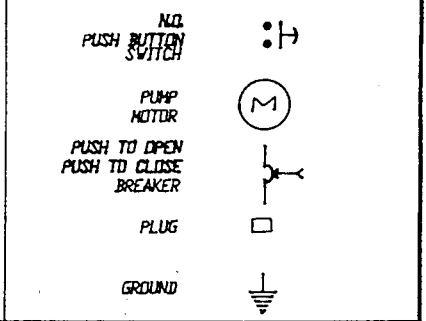
NOTES
 MACERATOR IS POWERED BY A 12V DC BATTERY TO OPERATE:
 1. TURN BATTERY SELECTOR SWITCH IN PORT COCKPIT STORAGE, TO ON.
 2. THE MACERATOR BREAKER IN THE DASH BREAKER PANEL MUST BE PUSHED CLOSED.
 4. MACERATOR CAN NOW BE ACTIVATED BY SWITCH IN HEAD.



MACERATOR 20A
 +12V DC (SWITCHED) BATTERY

CODE	BASE COLOR	STRIPE
BA	BLACK	
BN/R	BROWN	RED
DKGN/O	DARK-GREEN	ORANGE
DKGN/R	DARK-GREEN	RED
R	RED	

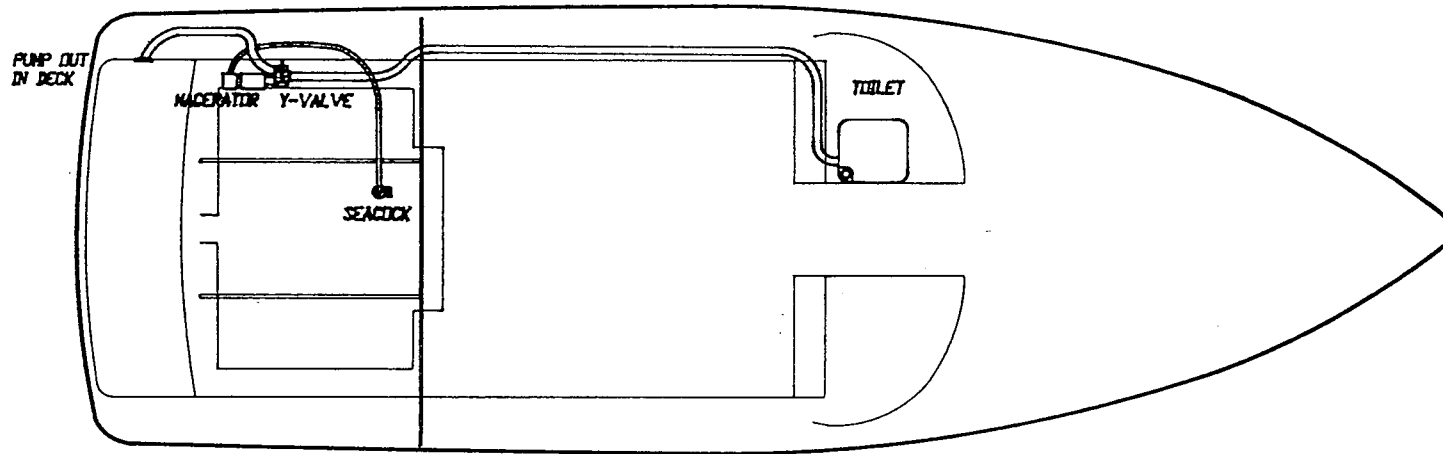
LEGEND



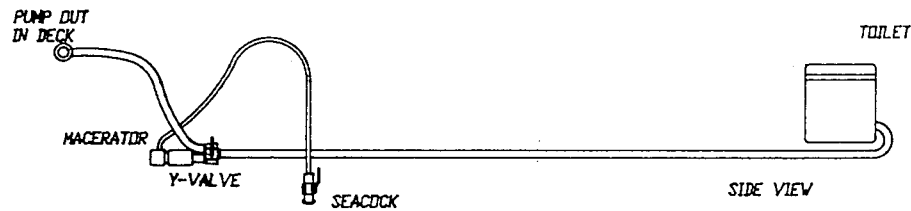
THUNDERBIRD PRODUCTS
 P.O. BOX 501
 DECATUR, IN 46733
 (219) 724-9111

REV	DESCRIPTION	DR	CH	DATE	FROM HIN #	TO HIN #
4					FROM HIN #	TO HIN #
3					FROM HIN #	TO HIN #
2					FROM HIN #	TO HIN #
1					FROM HIN #	TO HIN #
#	REVISIONS				FROM HIN #	TO HIN #

TITLE: F-252 BR
 MACERATOR
 UNDER VANITY / BILGE
 DR BY: KKE CH BY: P.E.
 DATE: 9-18-92 NO.: 252-011

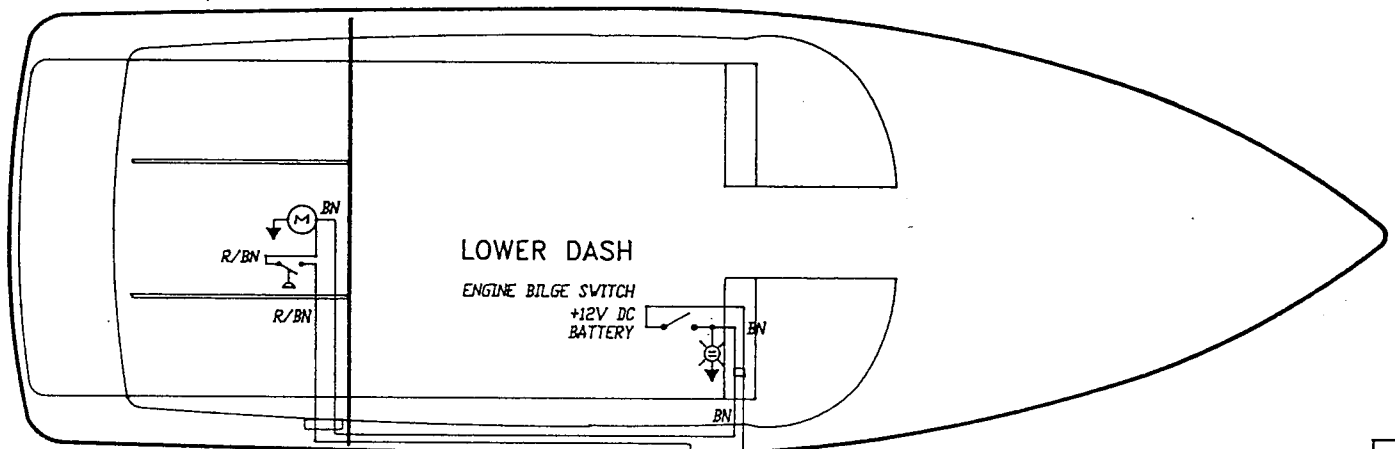


OVERVIEW

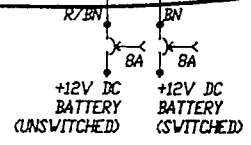


SIDE VIEW

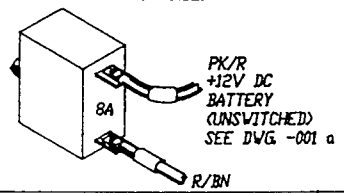
THUNDERBIRD PRODUCTS P.O. BOX 501 DECATUR, IN 46733 (219) 724-9111	4					FROM HIN #	TO HIN #	TITLE: F-252 BR MACERATOR HOOK-UP (PLUMBING) DR BY: KKE CH BY: R E DATE: 9-18-92 NO.: 252-011 b
	3					FROM HIN #	TO HIN #	
	2					FROM HIN #	TO HIN #	
	1					FROM HIN #	TO HIN #	
	#					FROM HIN #	TO HIN #	
		REVISIONS	DR	CH	DATE			



- THE ENGINE BILGE PUMP IS POWERED BY A 12V DC BATTERY.
- MANUAL OPERATION
- THE BATTERY ON-OFF SWITCH MUST BE IN THE ON POSITION.
- THE BILGE PUMP SWITCH AT THE DASH CAN NOW BE TURNED ON TO ACTIVATE THE PUMP.
- WATER LEVEL ACTIVATED
- THE BILGE PUMP FLOAT SWITCH IS CONSTANTLY POWERED. THE BATTERY ON-OFF SWITCH POSITION HAS NO BEARING ON ITS OPERATION.
- TO REMOVE CONSTANT PWR. TO THE ENGINE BILGE FLOAT SWITCH, THE ENGINE BILGE BREAKER IN DASH BRKR. PANEL MUST BE OPEN.
- SEE -131 b FOR DRAIN LINES.



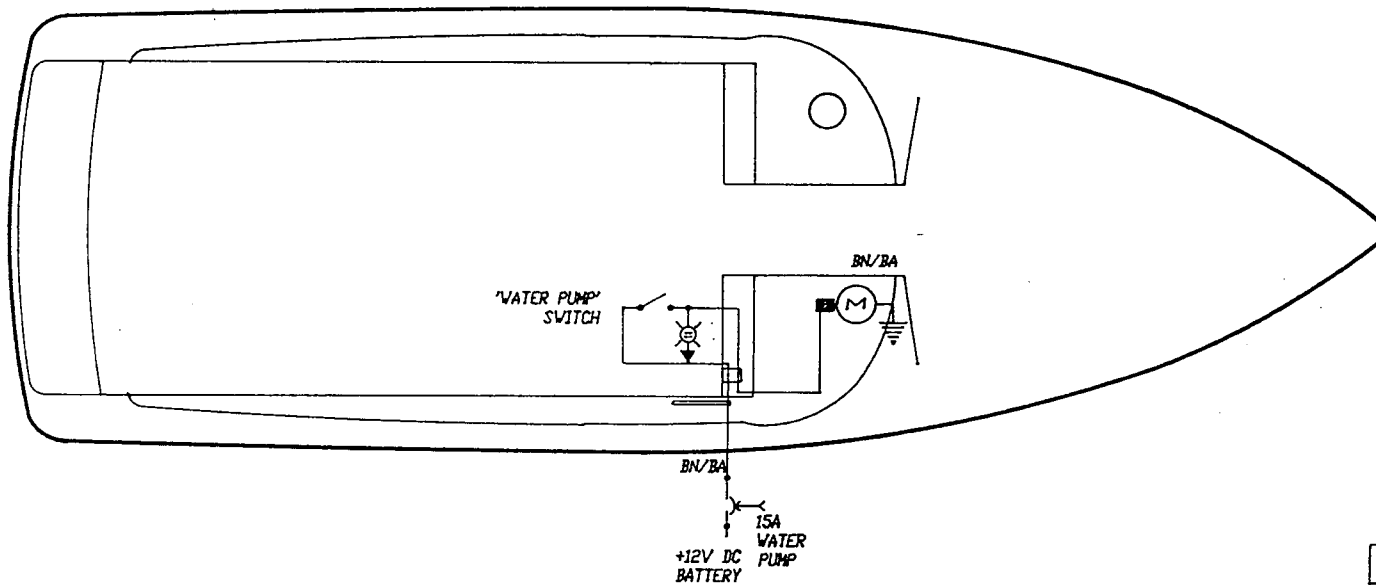
AUTO BILGE BREAKER
DASH BREAKER PANEL
(VIEWING FROM BACK SIDE)



LEGEND	
VACUUM PUMP MOTOR	(M)
LIGHTED ROCKER SWITCH	[Symbol]
FLOAT SWITCH	[Symbol]
PUSH TO OPEN PUSH TO CLOSE BREAKER	[Symbol]
PLUG	[Symbol]
GROUND	[Symbol]

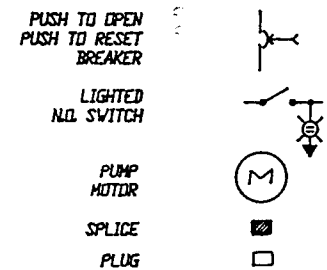
THUNDERBIRD PRODUCTS
P.O. BOX 501
DECATUR, IN 46733
(219) 724-9111

REV	DESCRIPTION	DR	CH	DATE	FROM HIN #	TO HIN #	TITLE
4					FROM HIN #	TO HIN #	TITLE: F-252 BR ENGINE BILGE PUMP AFT BILGE / DASH DR BY: KKE CH BY: RUC DATE: 9-17-92 NO.: 252-013 b
3					FROM HIN #	TO HIN #	
2					FROM HIN #	TO HIN #	
1					FROM HIN #	TO HIN #	
#					FROM HIN #	TO HIN #	
REVISIONS				DR	CH	DATE	

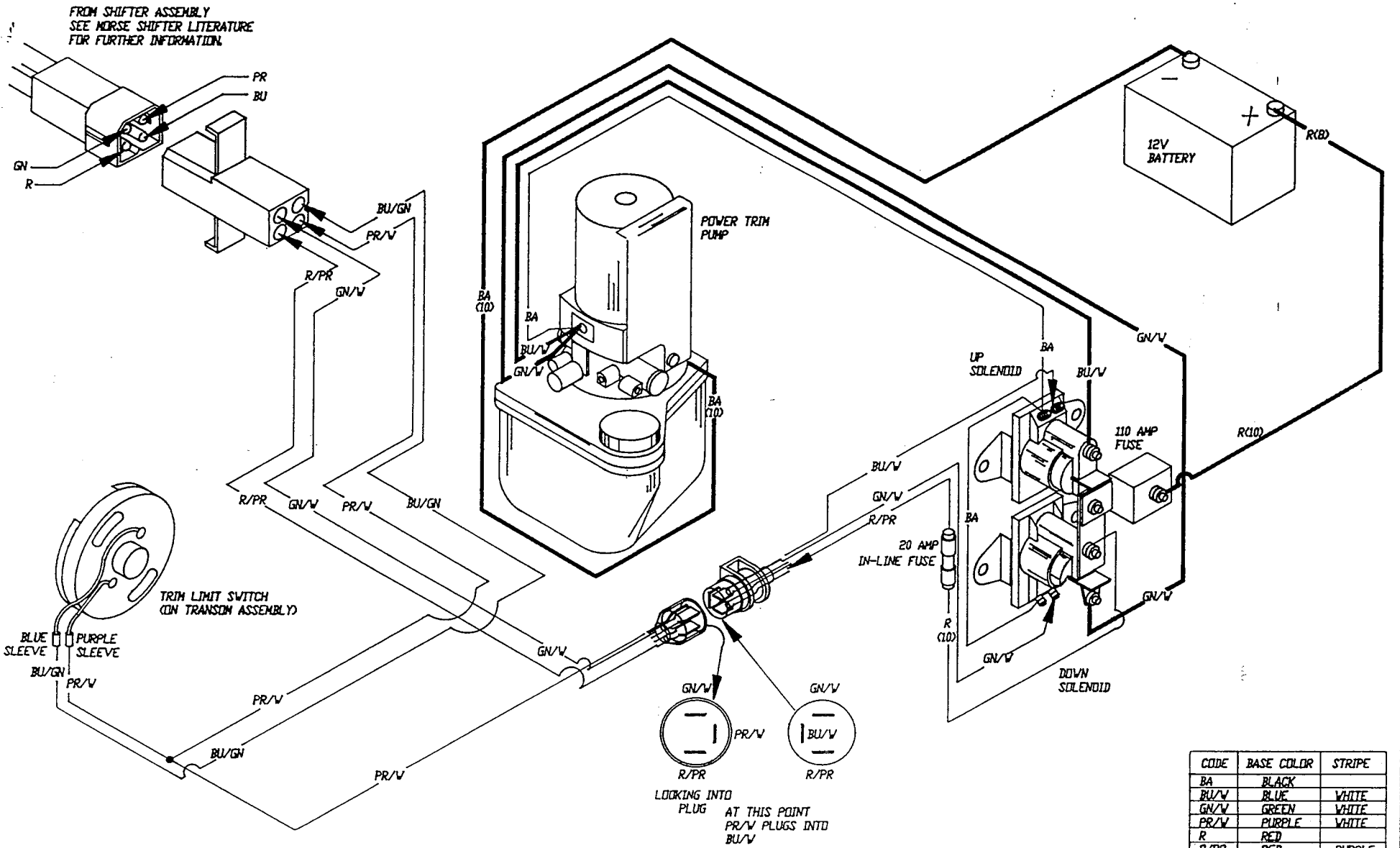


NOTE:
 THE WATER PUMP POWER IS SUPPLIED BY A 12V DC BATTERY (SWITCHED) TO OPERATE.
 1. THE BATTERY SELECTOR SWITCH MUST BE SWITCHED "DN".
 2. THE WATER PUMP BREAKER IN THE UNDER DASH BREAKER PANEL MUST BE CLOSED.
 3. THE WATER PUMP SWITCH ON THE LOWER DASH PANEL IS NOW SUPPLIED WITH 12V.
 ACTIVATE PUMP.
 SEE -131 FOR WATER LINES.

LEGEND



THUNDERBIRD PRODUCTS P.O. BOX 501 DECATUR, IN 46733 (219) 724-9111	4						FROM HIN #	TO HIN #	TITLE: F-252 BR
	3						FROM HIN #	TO HIN #	WATER PUMP WIRING
	2						FROM HIN #	TO HIN #	CAC/DC PANEL / V-BERTH
	1						FROM HIN #	TO HIN #	DR BY: KKE CH BY: R/L
	#						FROM HIN #	TO HIN #	DATE: 09-16-92 NO.: 252-013 e
		REVISIONS		DR	CH	DATE			



THUNDERBIRD PRODUCTS
P.O. BOX 501
DECATUR, IN 46733
(219) 724-9111

4
3
2
1
#

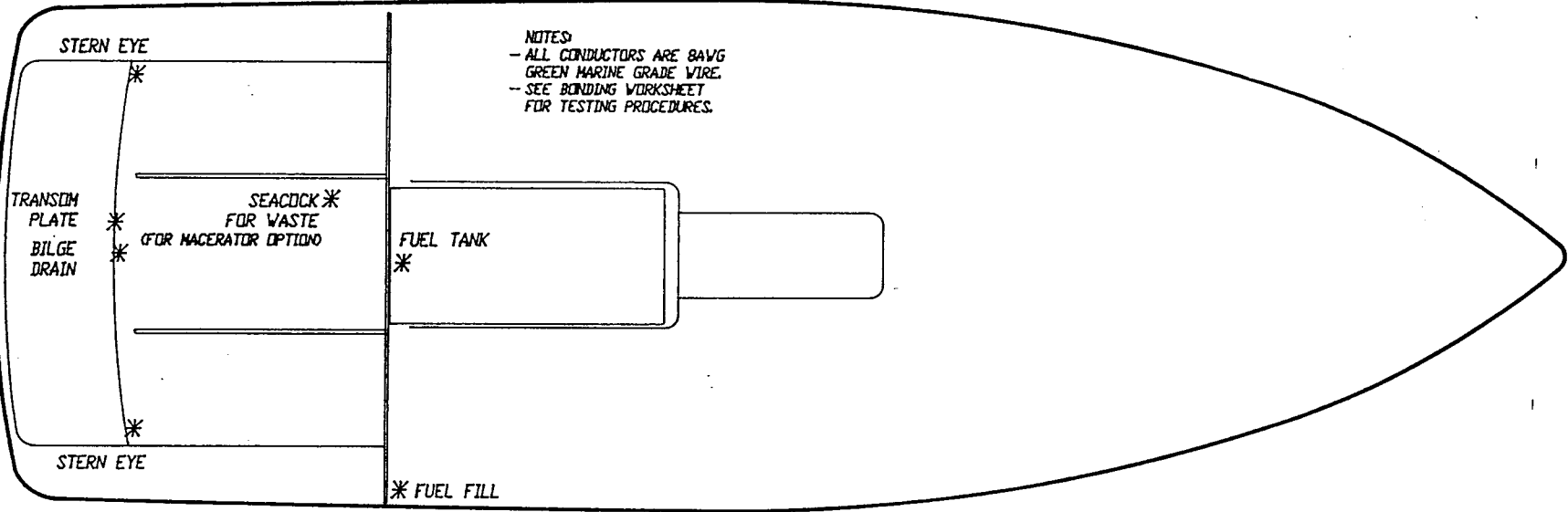
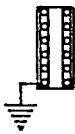
REVISIONS

DR CH DATE

FROM HIN #	TO HIN #
FROM HIN #	TO HIN #
FROM HIN #	TO HIN #
FROM HIN #	TO HIN #
FROM HIN #	TO HIN #

TITLE: F-252 BR
MERC POWER TRIM WIRING
(SHIFTER/BILGED)
DR BY: KKE CH BY: RG
DATE: 9-18-92 NO: 252-015 a

* ALL CONDUCTORS TERMINATE
AT THIS STRIP WHERE
THEY ARE BONDED TO
DC GROUND.



NOTES:
- ALL CONDUCTORS ARE 8AWG
GREEN MARINE GRADE WIRE.
- SEE BONDING WORKSHEET
FOR TESTING PROCEDURES.

THUNDERBIRD PRODUCTS P.O. BOX 501 DECATUR, IN 46733 (219) 724-9111	4					FROM HIN #	TO HIN #	TITLE: F-252 BR	
	3					FROM HIN #	TO HIN #	BONDED EQUIPMENT	
	2					FROM HIN #	TO HIN #		
	1					FROM HIN #	TO HIN #	DR BY: KKE CH BY: RCF	
	#	REVISIONS	DR	CH	DATE	FROM HIN #	TO HIN #	DATE: 9-22-92 NO.: 252-120	

SYSTEM SCHEMATIC
SEE FIG1 FOR
PLACEMENTS.

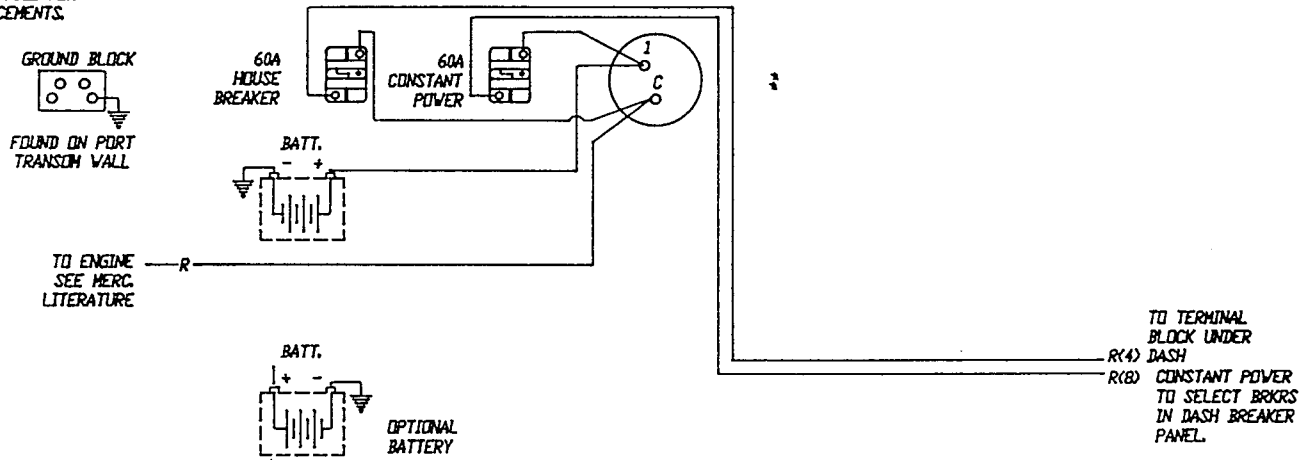


FIG2
BATTERY ON-OFF SWITCH

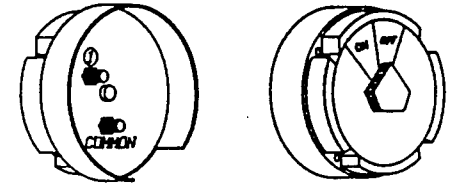
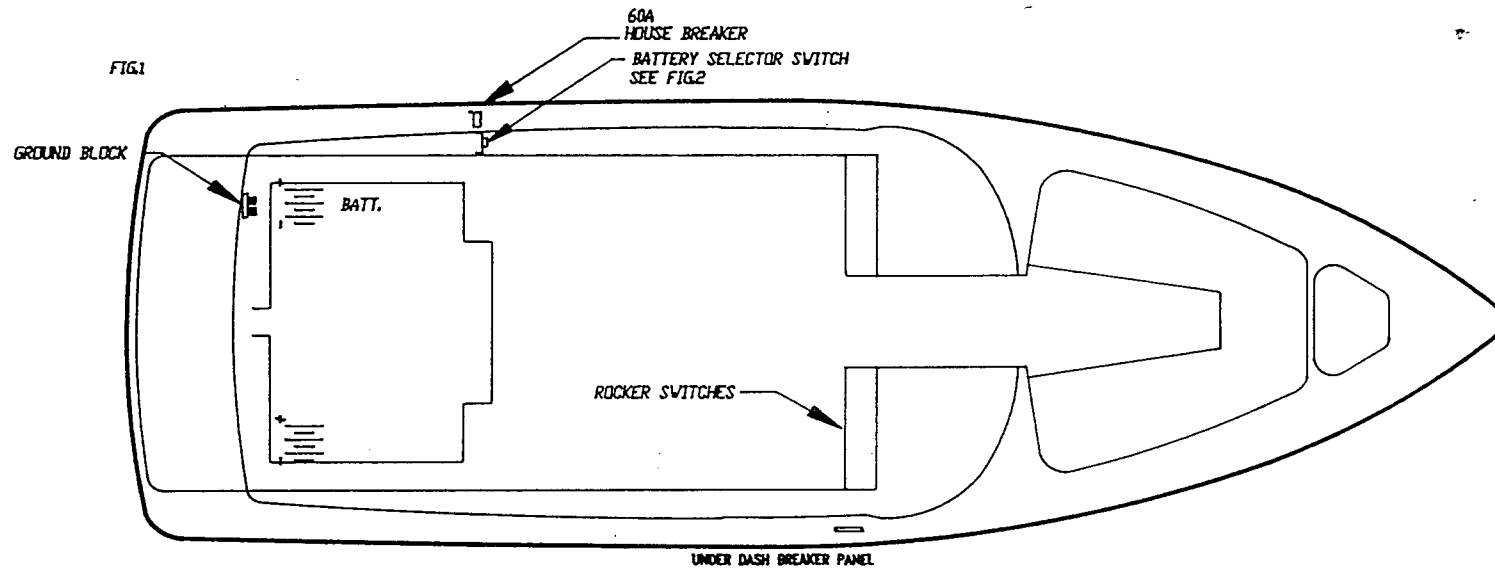
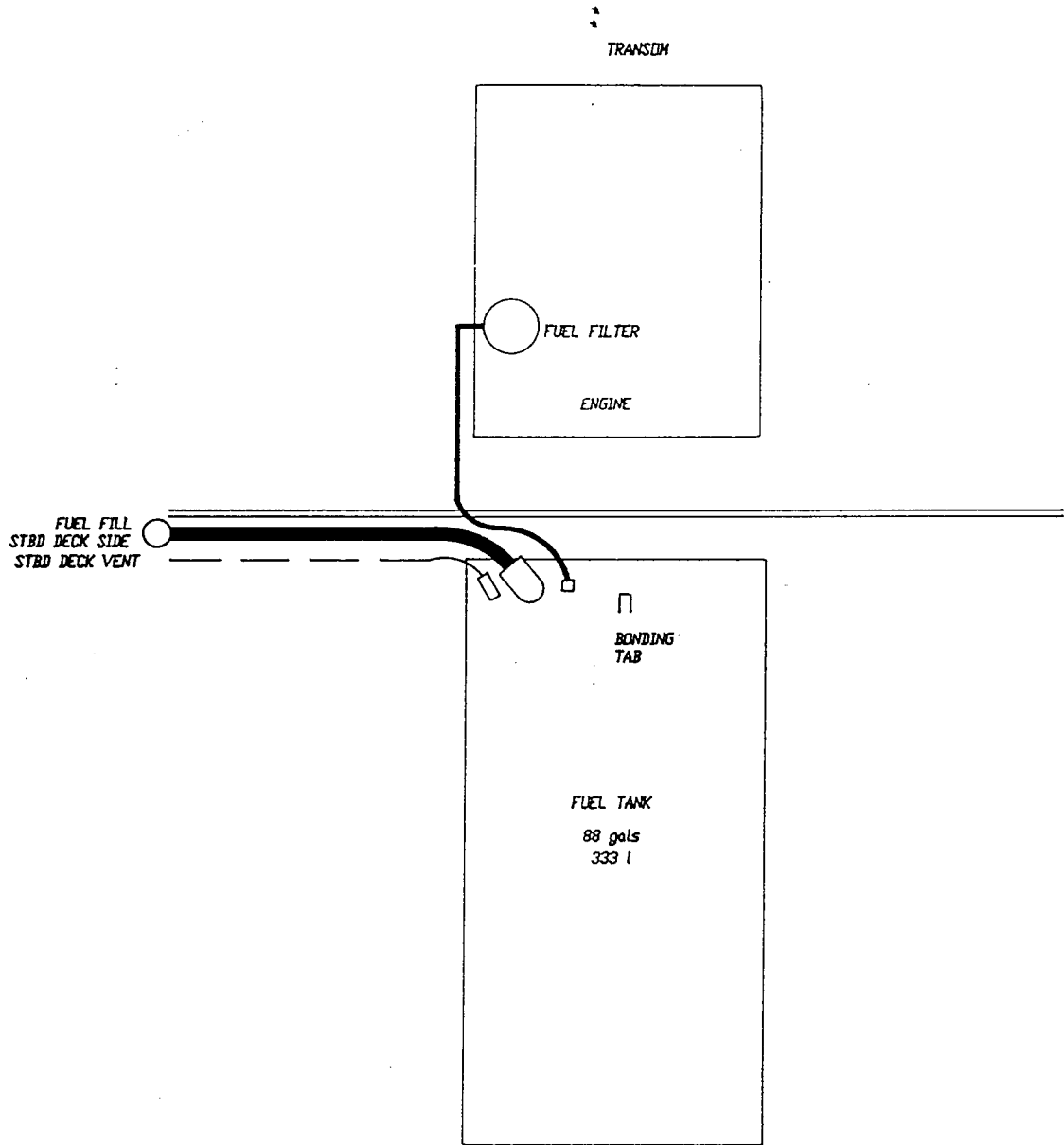


FIG1



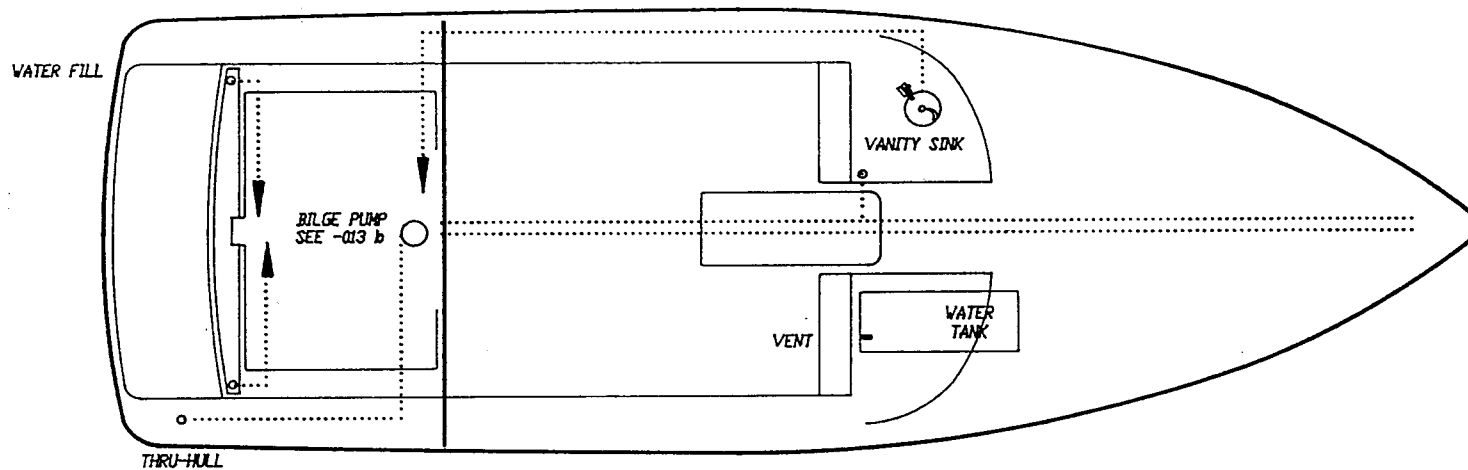
THUNDERBIRD PRODUCTS P.O. BOX 501 DECATUR, IN 46733 (219) 724-9111	4					FROM HIN #	TO HIN #	TITLE: F-252 BR DC SUPPLY SYSTEM DR BY: KXE CH BY: KE DATE: 9-10-92 NO.: 252-001 a
	3					FROM HIN #	TO HIN #	
	2					FROM HIN #	TO HIN #	
	1					FROM HIN #	TO HIN #	
	#					FROM HIN #	TO HIN #	
		REVISIONS	DR	CH	DATE			



LEGEND

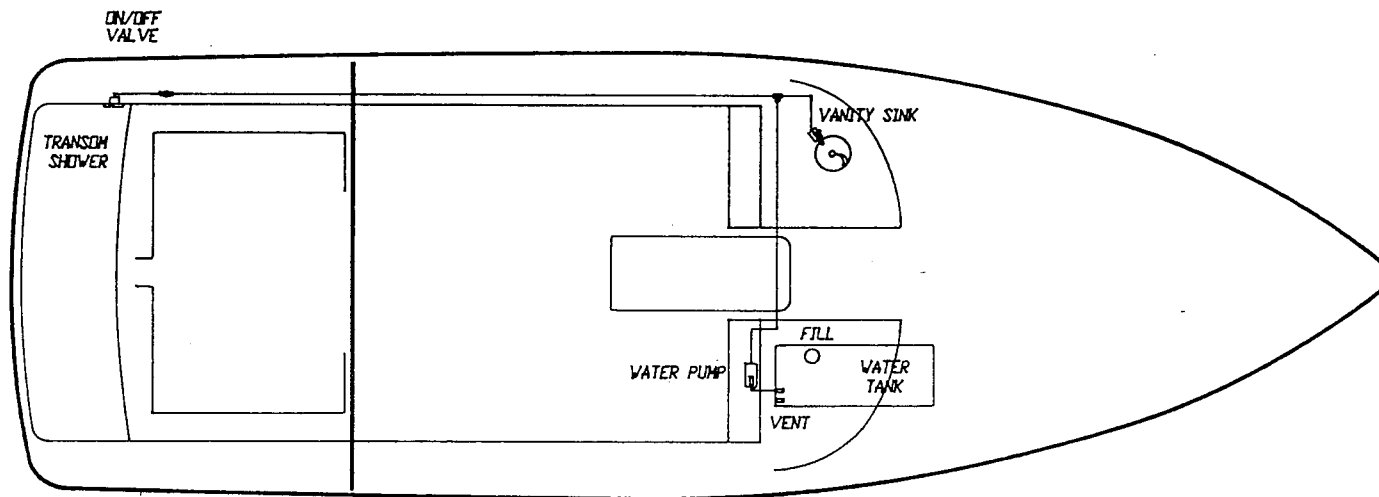
- FUEL LINES
USCG TYPE A-1
3/8" SAE J1527
(9.525 mm) ———
- FUEL FILL
USCG TYPE A-1
1 1/2" ID SAE J1527
2 (38.1 mm) —————
- VENT LINE
USCG TYPE A-1
5/8" SAE J1527
(15.8 mm) - - - - -

THUNDERBIRD PRODUCTS P.O. BOX 501 DECATUR, IN 46733 (219) 724-9111	4						FROM HIN #	TO HIN #	TITLE: F-252 BR	
	3						FROM HIN #	TO HIN #	FUEL SYSTEM DIAGRAM	
	2						FROM HIN #	TO HIN #	GAS)	
	1						FROM HIN #	TO HIN #	DR BY: KKE	CH BY: RCL
	#	REVISIONS		DR	CH	DATE	FROM HIN #	TO HIN #	DATE: 9-10-92	NO.: 252-130 a



LEGEND	
VENT LINE	—————
DRAINAGE PATH
DRAINAGE HOSES

THUNDERBIRD PRODUCTS P.O. BOX 501 DECATUR, IN 46733 (219) 724-9111	4					FROM HIN #	TO HIN #	TITLE: F-252 BR	
	3					FROM HIN #	TO HIN #	DRAINAGE SYSTEM	
	2					FROM HIN #	TO HIN #		
	1					FROM HIN #	TO HIN #	DR BY: KKE	CH BY: R.C.
	#					FROM HIN #	TO HIN #	DATE: 9-19-92	NO.: 252-131 b
		REVISIONS	DR	CH	DATE	FROM HIN #	TO HIN #		



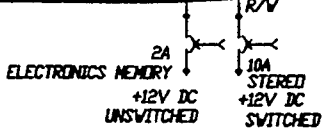
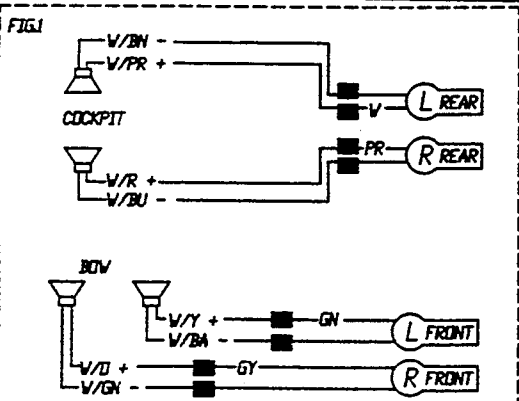
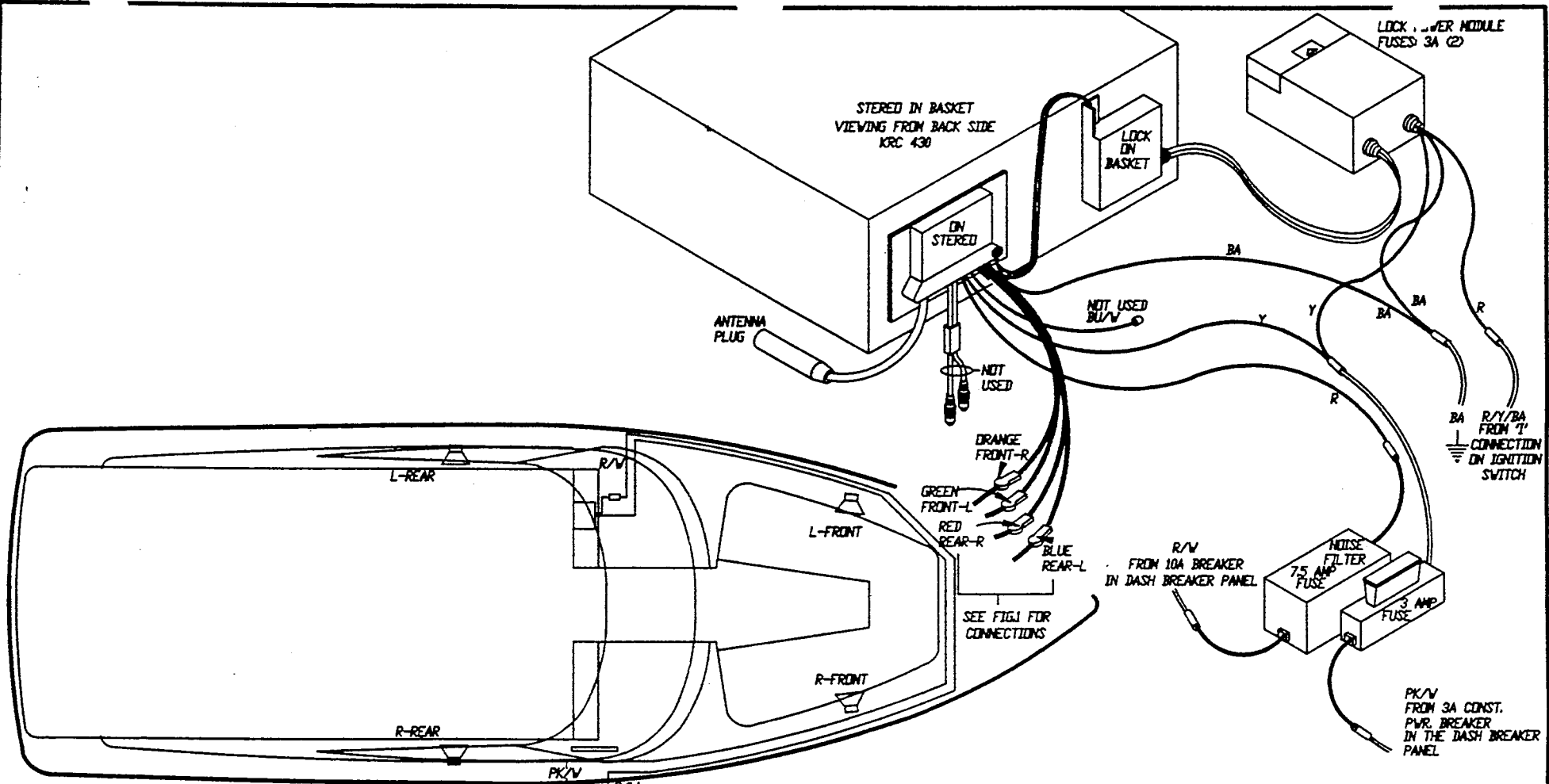
LEGEND

COLD WATER LINE —————

VENT LINES - - - - -

WATER FILL **██████████**

THUNDERBIRD PRODUCTS P.O. BOX 501 DECATUR, IN 46733 (219) 724-9111	4					FROM HIN #	TO HIN #	TITLE: F-252 BR PLUMBING SYSTEM	
	3					FROM HIN #	TO HIN #		
	2					FROM HIN #	TO HIN #		
	1					FROM HIN #	TO HIN #	DR BY: KKE	CH BY: RG
	#						FROM HIN #	TO HIN #	DATE: 9-18-92
		REVISIONS	DR	CH	DATE				



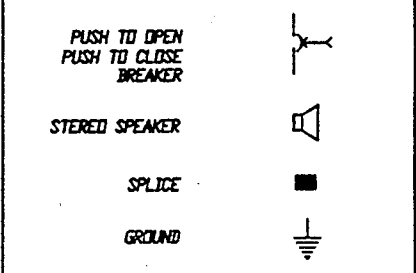
STERED REMOVAL

1. TURN THE BATTERY SELECTOR SWITCH, FOUND IN THE PORT AFT COCKPIT STORAGE, TO 'DN'.
2. AT THE IGNITION PANEL, TURN THE IGNITION SWITCH TO ITS FIRST POSITION THEN OFF.
3. YOU NOW HAVE 15 SECONDS TO REMOVE THE STERED FROM ITS BASKET.

STERED OPERATION

1. TURN THE BATTERY SELECTOR SWITCH, FOUND IN THE PORT AFT COCKPIT STORAGE, TO 'DN'.
2. THE CONSTANT POWER BREAKER IN THE DASH BREAKER PANEL MUST BE CLOSED.
3. THE STERED BREAKER IN THE UNDER DASH BREAKER PANEL MUST BE CLOSED.
4. POWER IS NOW SUPPLIED TO THE STERED AND CAN BE TURNED ON AT THE UNIT.

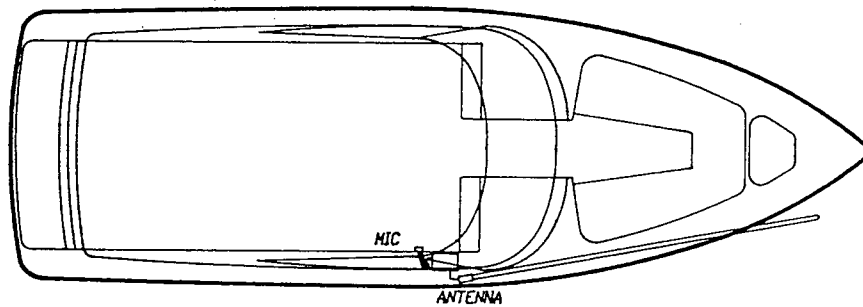
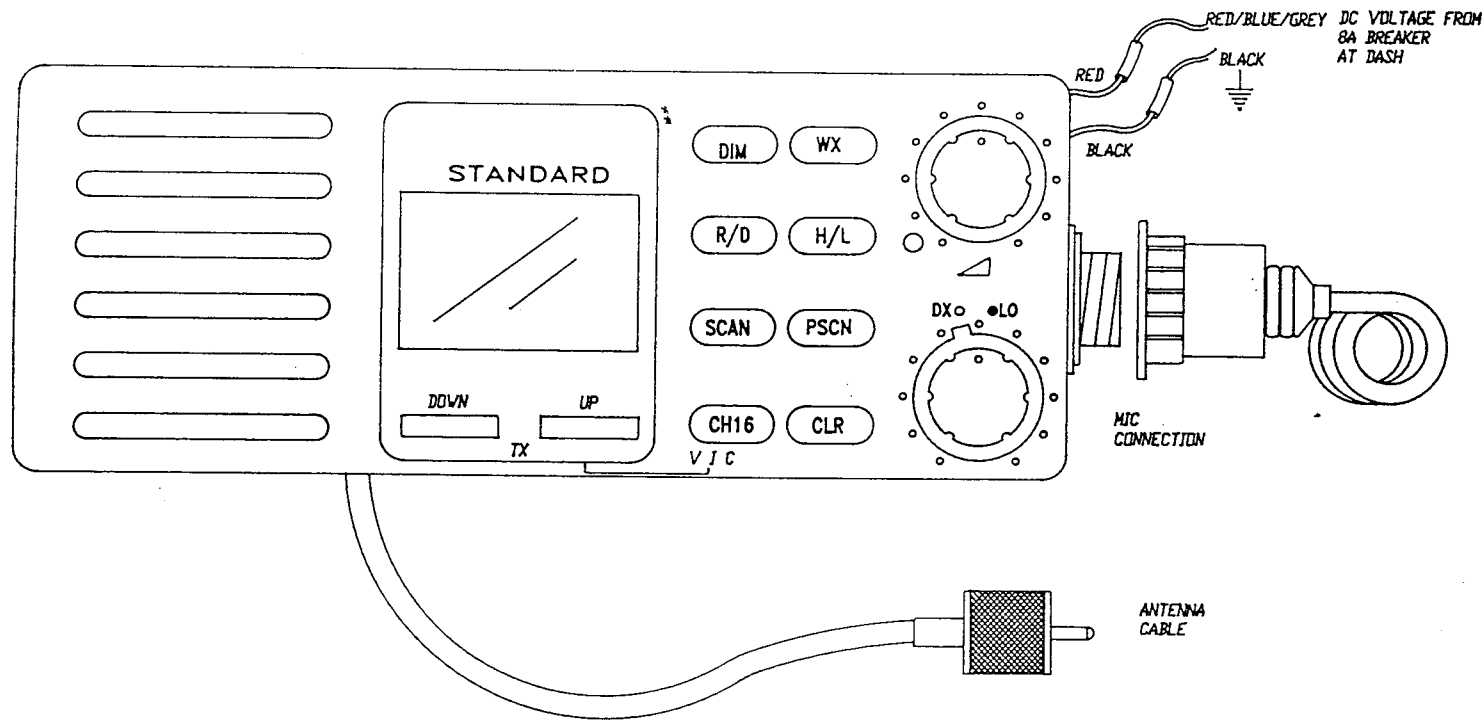
LEGEND



THUNDERBIRD PRODUCTS
P.O. BOX 501
DECATUR, IN 46733
(219) 724-9111

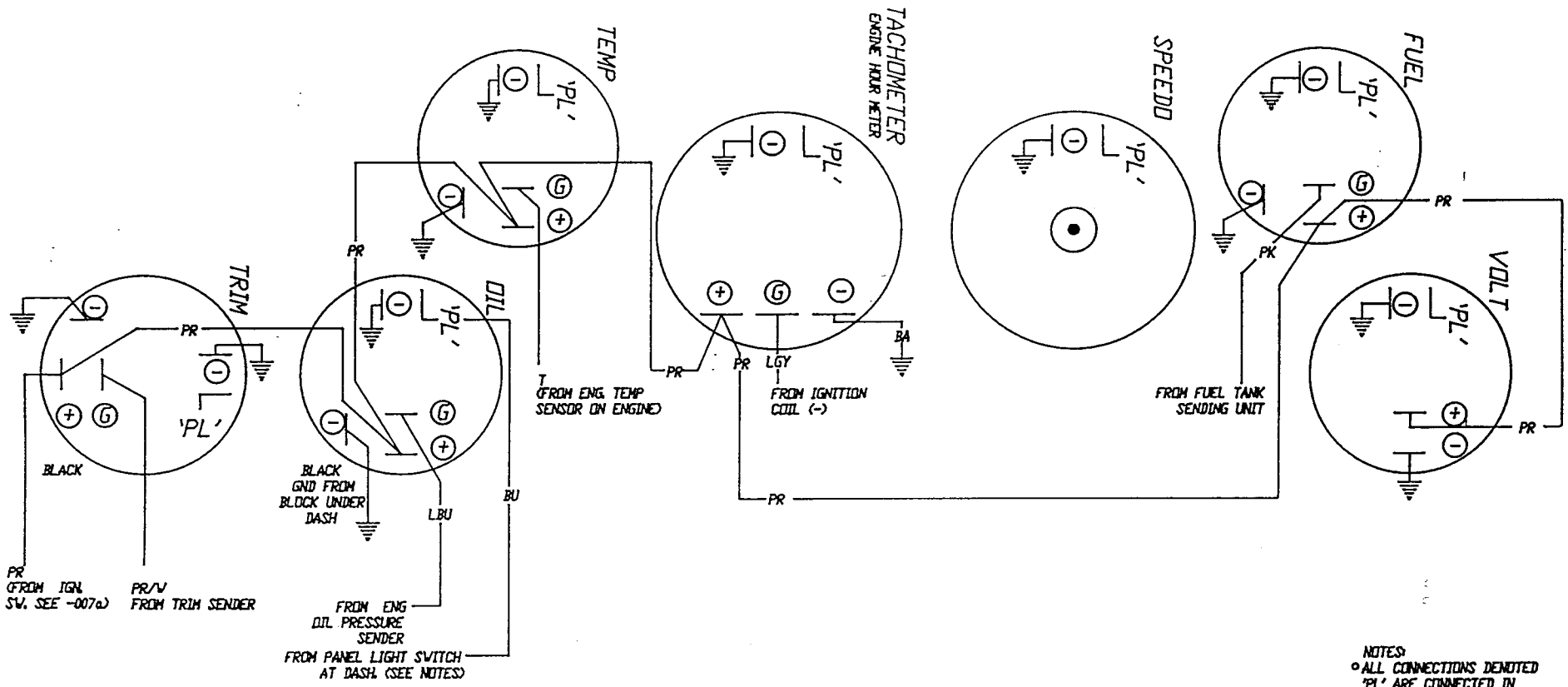
REV	DESCRIPTION	DR	CH	DATE	FROM HIN #	TO HIN #
4						
3						
2						
1						

TITLE: F-252 BR
STERED SYSTEM
DR BY: KKE CH BY:
DATE: 09-16-82 NO: 252-140



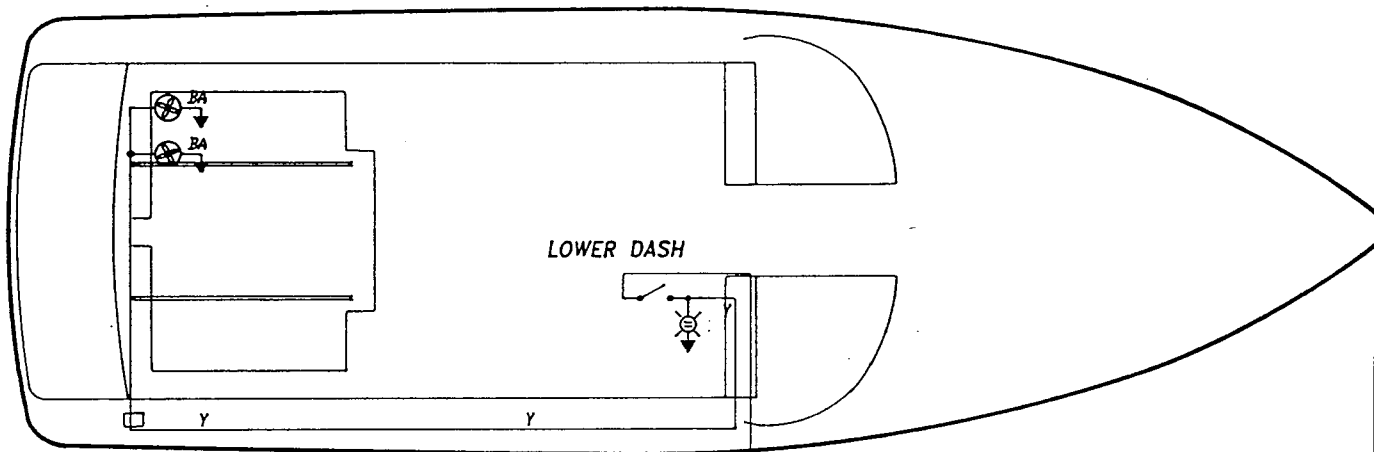
THUNDERBIRD PRODUCTS	4					FROM HIN #	TO HIN #	TITLE: F-252 BR VHF RADIO WIRING
P.O. BOX 501	3					FROM HIN #	TO HIN #	
DECATUR, IN 46733	2					FROM HIN #	TO HIN #	
(219) 724-9111	1					FROM HIN #	TO HIN #	
	#	REVISIONS	DR	CH	DATE	FROM HIN #	TO HIN #	DR BY: KKE CH BY: R.E. DATE: 9-18-92 NO: 252-144

CODE	BASE COLOR	STRIPE	STRIPE
BA	BLACK		
BU	BLUE		
LBU	LIGHT BLUE		
LGY	LIGHT GREY		
PR	PURPLE		
PR/V	PURPLE	WHITE	
T	TAN		

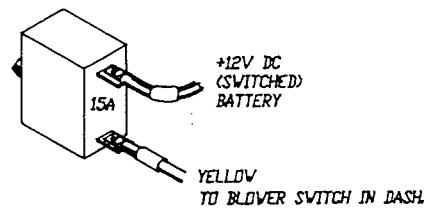


- NOTES
- ALL CONNECTIONS DENOTED 'PL' ARE CONNECTED IN PARALLEL TO THE PANEL LIGHT SWITCH ON THE DASH ACCESSORY PANEL.
 - LIGHTS HAVE A DEFINATE POLARITY, '-' MUST BE GROUNDED.
 - VIEWING BACK SIDE OF PANEL.

THUNDERBIRD PRODUCTS P.O. BOX 501 DECATUR, IN 46733 (219) 724-9111	4					FROM HIN #	TO HIN #	TITLE: F-252 BR (UPPER DASH) DASH INSTRUMENTS ALSO SEE -007 AND -008 DR BY: KKE CH BY: RE DATE: 9-10-92 NO.: 252-008
	3					FROM HIN #	TO HIN #	
	2					FROM HIN #	TO HIN #	
	1					FROM HIN #	TO HIN #	
	#					FROM HIN #	TO HIN #	
		REVISIONS	DR	CH	DATE			



DASH BREAKER PANEL
(SHOWING BACK SIDE)



WARNING:
GASOLINE VAPORS CAN EXPLODE
BEFORE STARTING ENGINE!
-CHECK ENGINE COMPARTMENT
FOR GASOLINE VAPORS.
-OPERATE BLOWERS FOR 4 MINUTES.
RUN BLOWER BELOW CRUISING SPEED.

NOTE:
TO OPERATE BLOWERS:
1.TURN BATTERY SELECTOR
SWITCH TO ON.
2.BLOWER BREAKER IN THE DASH
BREAKER PANEL MUST BE PUSHED CLOSED.
3.THE SWITCH AT THE DASH
IS NOW SUPPLIED WITH +12V
AND WHEN SWITCHED ON WILL
RUN BOTH BLOWERS.

LEGEND

PUSH TO OPEN
PUSH TO CLOSE
BREAKER



LIGHTED
TOGGLE SWITCH



BLOWER



GROUND



PLUG



THUNDERBIRD PRODUCTS
P.O. BOX 501
DECATUR, IN 46733
(219) 724-9111

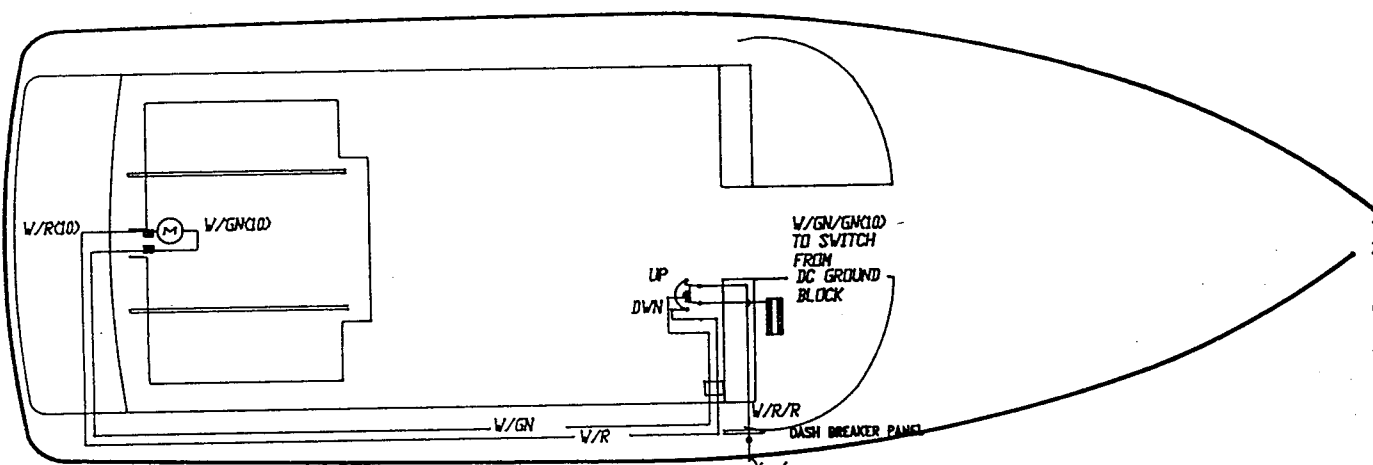
4
3
2
1
#

REVISIONS

DR CH DATE

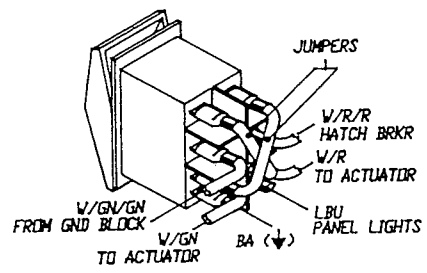
FROM HIN #	TO HIN #
FROM HIN #	TO HIN #
FROM HIN #	TO HIN #
FROM HIN #	TO HIN #
FROM HIN #	TO HIN #

TITLE: F-252 BR
ENGINE COMP. BLOWERS
(LOWER DASH/BILGE)
DR BY: KKE CH BY: P.E.
DATE: 9-18-92 NO. 252-002 a

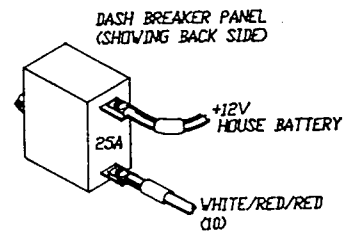


- TO OPERATE:
1. HOUSE BATTERY SELECTOR SWITCH FOUND IN THE PORT COCKPIT STORAGE COMPARTMENT MUST BE IN THE ON POSITION.
 2. ENGINE HATCH BREAKER FOUND UNDER THE DASH MUST BE PUSHED CLOSED.
 3. THE HATCH IS NOW OPERABLE AT THE DASH BY THE LIGHTED TOGGLE SWITCH LABELED 'ENGINE HATCH'.

ENGINE HATCH ROCKER SWITCH ON DASH ACC. SW. PANEL (SHOWING BACK SIDE)



25A ENGINE HATCH
+12V DC (SWITCHED) BATTERY



LEGEND

N/L	4:
PUSH BUTTON SWITCH	
PUSH TO OPEN	
PUSH TO CLOSE	
BREAKER	
BUTT SPLICE	
PLUG	
TERMINAL BLOCK	
N/L / DPDT LIGHTED TOGGLE SWITCH	
ACTUATOR MOTOR	
GROUND	

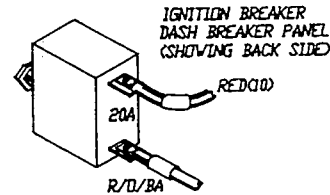
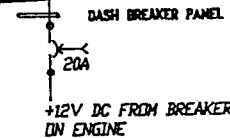
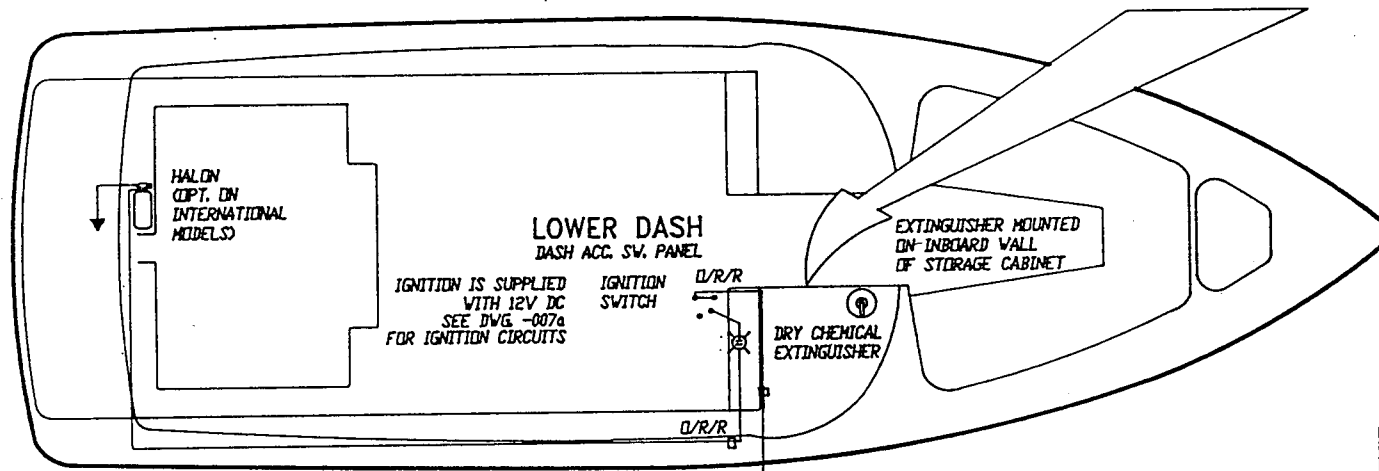
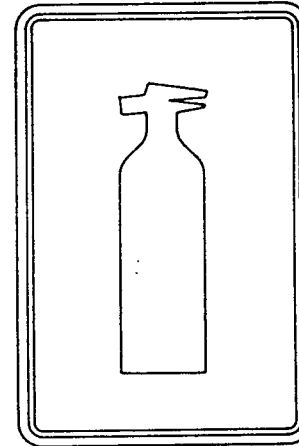
THUNDERBIRD PRODUCTS
P.O. BOX 501
DECATUR, IN 46733
(219) 724-9111

REV	DESCRIPTION	DR	CH	DATE	FROM HIN #	TO HIN #
4					FROM HIN #	TO HIN #
3					FROM HIN #	TO HIN #
2					FROM HIN #	TO HIN #
1					FROM HIN #	TO HIN #
#					FROM HIN #	TO HIN #

TITLE: F-252 BR
ENGINE HATCH RAM
(ENGINE COMPARTMENT)
DR BY: KKE CH BY: R.C.
DATE: 9-17-92 NO.: 252-003

REVISIONS

LABEL REPRESENTS
THE PRESENCE OF
AN EXTINGUISHER
WITHIN

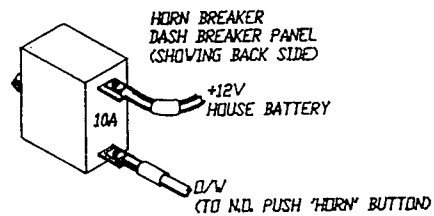
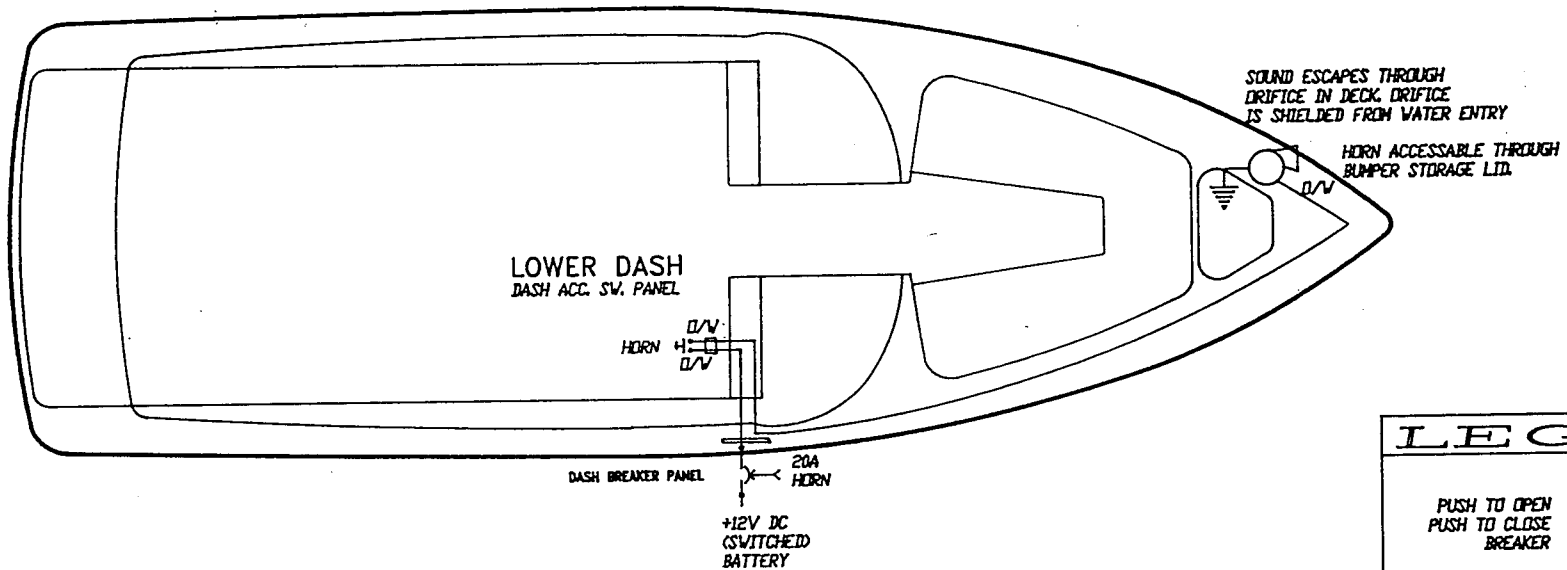


THE HALON INDICATOR LIGHT IS POWERED BY THE STARTING BATTERY ONLY WHEN THE IGNITION SWITCH IS IN THE ON POSITION. THE LIGHT INDICATES TO THE OPERATOR THERE IS SUFFICIENT PRESSURIZATION TO EXPEL THE AGENT OF THE ENGINE COMPARTMENT EXTINGUISHER. THE UNIT DOES NOT REQUIRE 12 VOLTS TO EXPEL THE AGENT.

LEGEND

- HALON FIRE EXTINGUISHER
- PUSH TO OPEN PUSH TO CLOSE BREAKER
- PLUG
- HALON LIGHT
- IGNITION SWITCH
- GROUND

THUNDERBIRD PRODUCTS P.O. BOX 501 DECATUR, IN 46733 (219) 724-9111	4						FROM HIN #	TO HIN #	TITLE: F-252 BR HALON INDICATOR LIGHT (EXTINGUISHER PLACEMENTS) DR BY: KKE CH BY: RCE DATE: 9-18-92 NO. 252-005
	3						FROM HIN #	TO HIN #	
	2						FROM HIN #	TO HIN #	
	1						FROM HIN #	TO HIN #	
	1						FROM HIN #	TO HIN #	
	1						FROM HIN #	TO HIN #	
	1						FROM HIN #	TO HIN #	
	REVISIONS	DR	CH	DATE					



LEGEND

PUSH TO OPEN
PUSH TO CLOSE
BREAKER



PLUG



N.D.
PUSH BUTTON
SWITCH



HORN



GROUND



THUNDERBIRD PRODUCTS
P.O. BOX 501
DECATUR, IN 46733
(219) 724-9111

4
3
2
1
#

REVISIONS

DR CH DATE

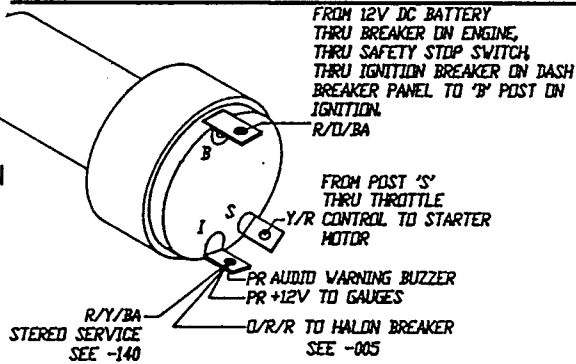
FROM HIN #
FROM HIN #
FROM HIN #
FROM HIN #
FROM HIN #

TO HIN #
TO HIN #
TO HIN #
TO HIN #
TO HIN #

TITLE: F-252 BR
HORN
(PORT BOW)

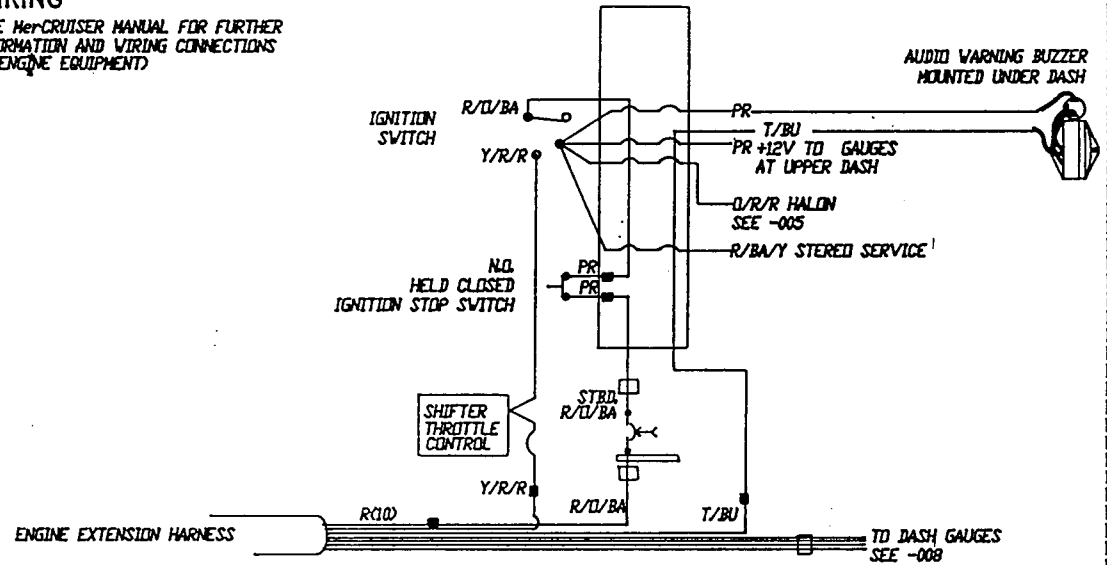
DR BY: KKE CH BY: P.C.
DATE: 9-17-92 NO.: 252-006

IGNITION SWITCH

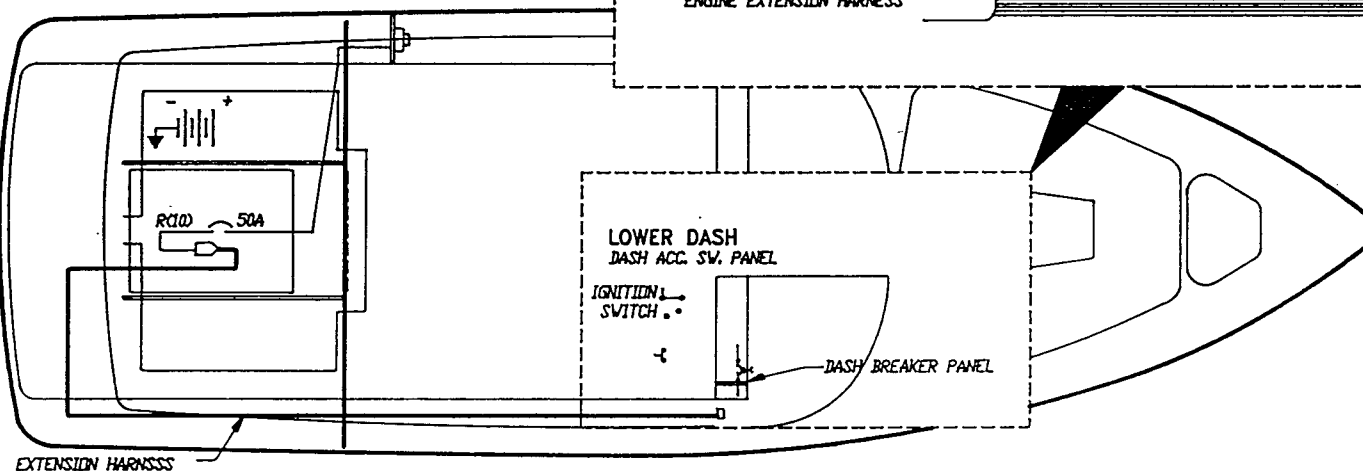


LOWER DASH / IGNITION SWITCH WIRING

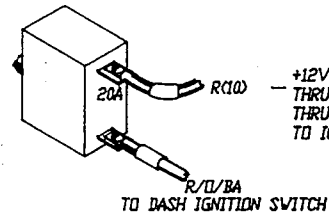
(SEE MerCRUISER MANUAL FOR FURTHER INFORMATION AND WIRING CONNECTIONS ON ENGINE EQUIPMENT)



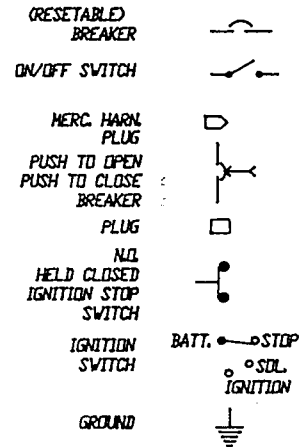
SEE -001a FOR DC POWER SUPPLY



IGNITION BREAKER DASH BREAKER PANEL (SHOWING BACK SIDE)



LEGEND



THUNDERBIRD PRODUCTS
P.O. BOX 501
DECATUR, IN 46733
(219) 724-9111

4
3
2
1
#

REVISIONS

DR CH DATE

FROM HIN # TO HIN #
FROM HIN # TO HIN #
FROM HIN # TO HIN #
FROM HIN # TO HIN #
FROM HIN # TO HIN #

TITLE: F-252 BR
IGNITION GAS ENGINE
(DASH AREA)
DR BY: KKE CH BY: RF,
DATE: 9-17-92 NO.: 252-007 a