

L-PAD

PART # 4380

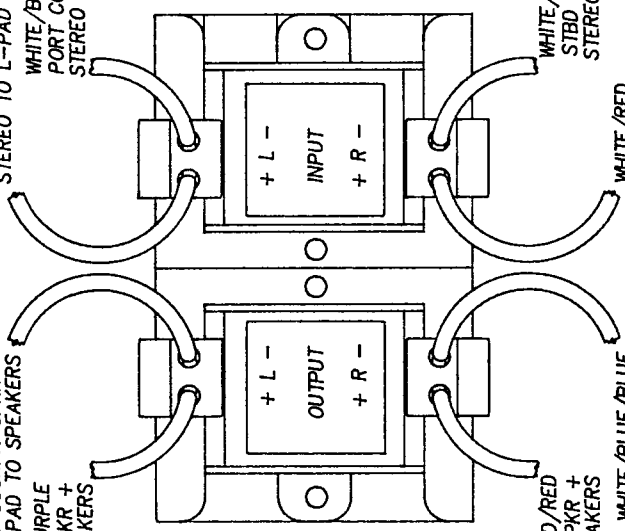
VIEWING BACK SIDE

WHITE/BROWN/BROWN
PORT COCKPIT SPKR -
L-PAD TO SPEAKERS

WHITE/PURPLE/PURPLE
PORT COCKPIT SPKR +
L-PAD TO SPEAKERS

WHITE/PURPLE
PORT COCKPIT SPKR +
STEREO TO L-PAD

WHITE/BROWN
PORT COCKPIT SPKR -
STEREO TO L-PAD

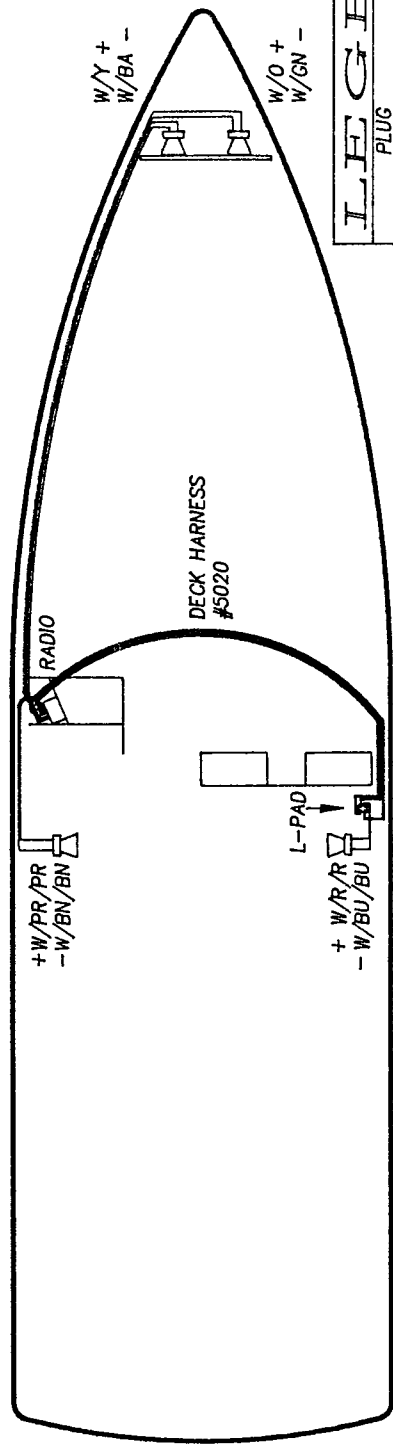


WHITE/RED/RED
STBD COCKPIT SPKR +
L-PAD TO SPEAKERS

WHITE/BLUE/BLUE
STBD COCKPIT SPKR -
L-PAD TO SPEAKERS

WHITE/BLUE
STBD COCKPIT SPKR -
STEREO TO L-PAD

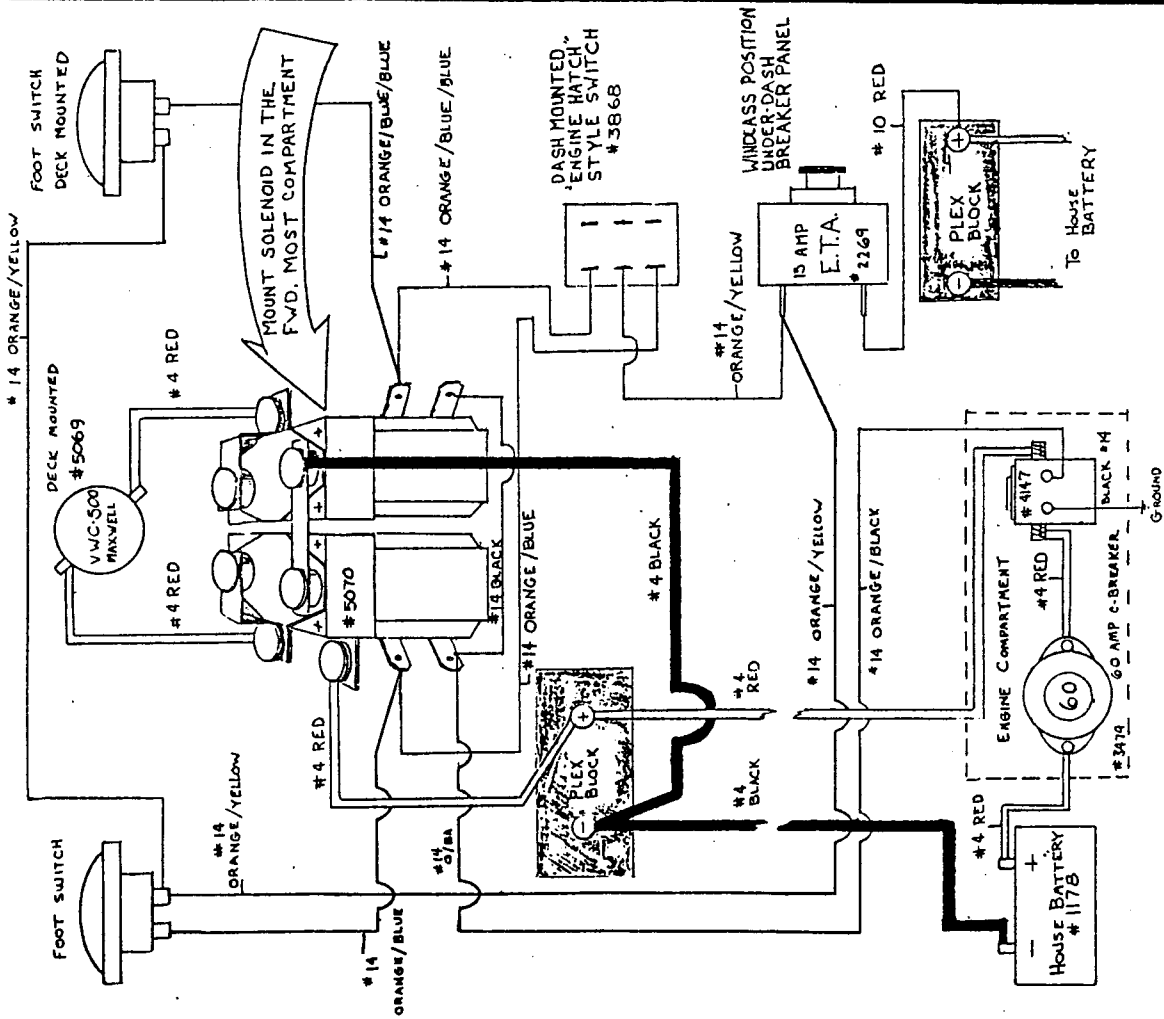
WHITE/RED
STBD COCKPIT SPKR +
STEREO TO L-PAD



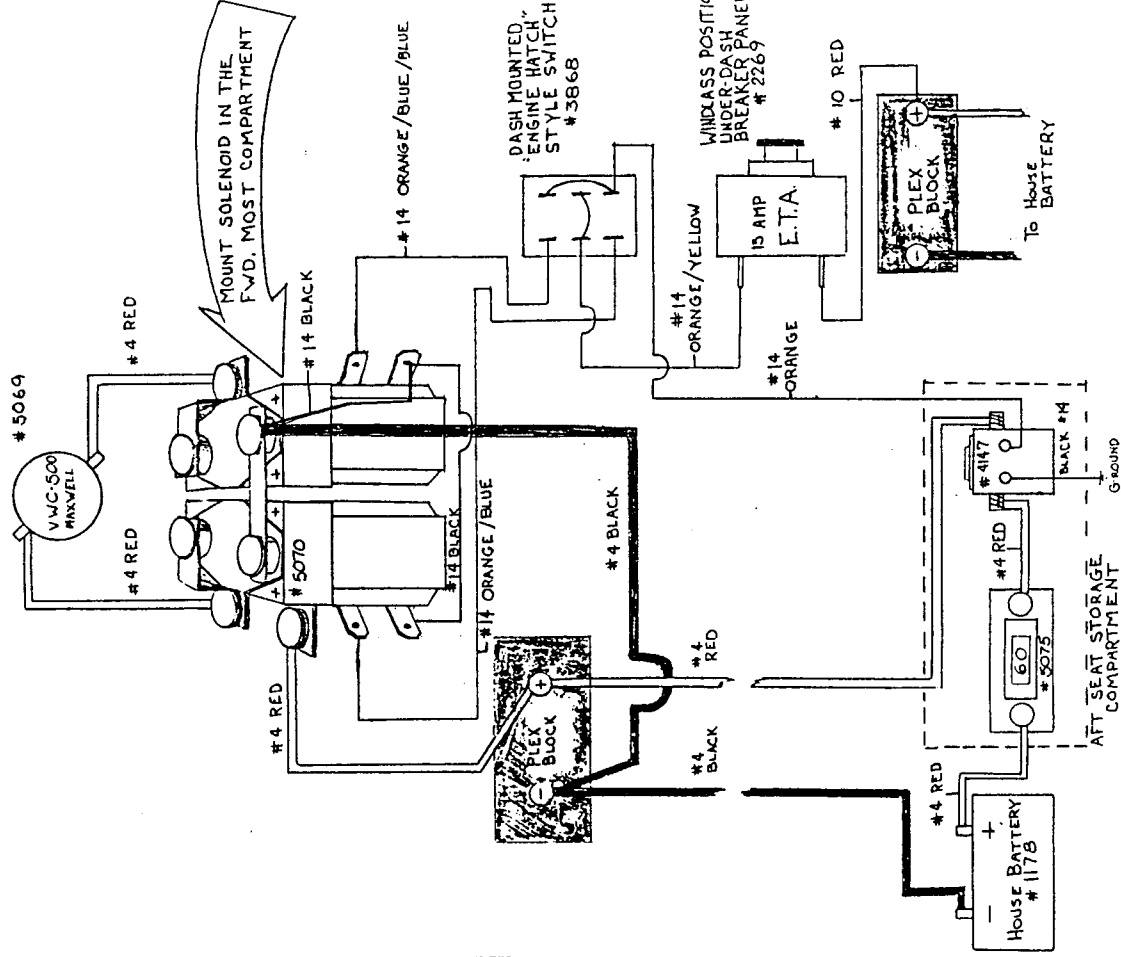
LEGEND

- PLUG
- SPEAKER
- L-PAD
- STEREO

THUNDERBIRD PRODUCTS	4	3	2	1	#	REVISIONS	DR	CH	DATE	FROM HIN #	TO HIN #	TITLE: F-272 SR1 COCKPIT L-PAD AND SPKRS
P.O. BOX 501										FROM HIN #	TO HIN #	
DECATUR, IN 46733										FROM HIN #	TO HIN #	
(219) 724-9111										FROM HIN #	TO HIN #	
										FROM HIN #	TO HIN #	DR BY: KKR
										FROM HIN #	TO HIN #	CH BY: J/C
										FROM HIN #	TO HIN #	DATE: 9-7-90
										FROM HIN #	TO HIN #	NO.: 272-141



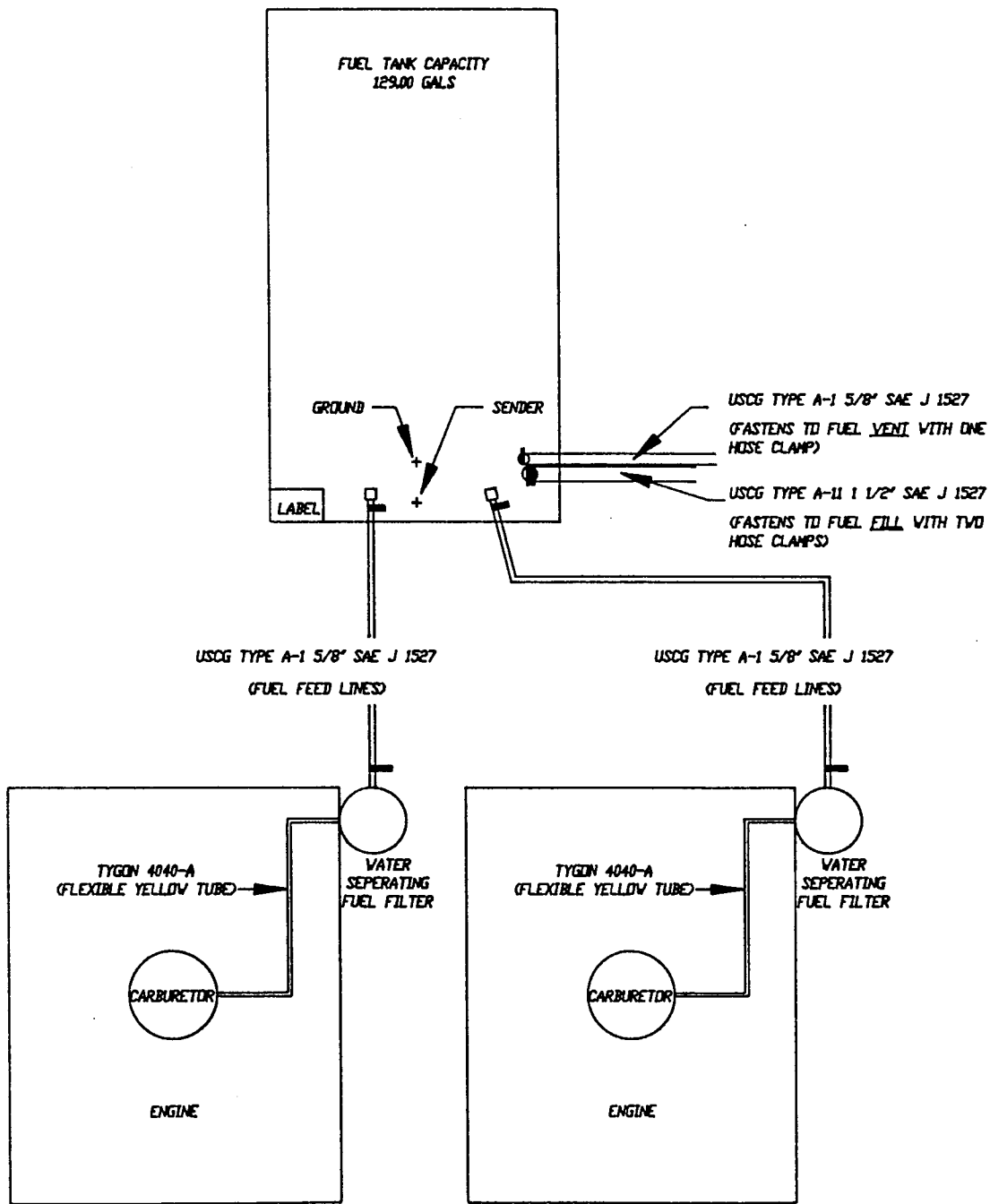
WINDLASS DIAGRAM VWC-500
F26PC THRU F29PC



WINDLASS DIAGRAM VWC-500
F206 THRU F419

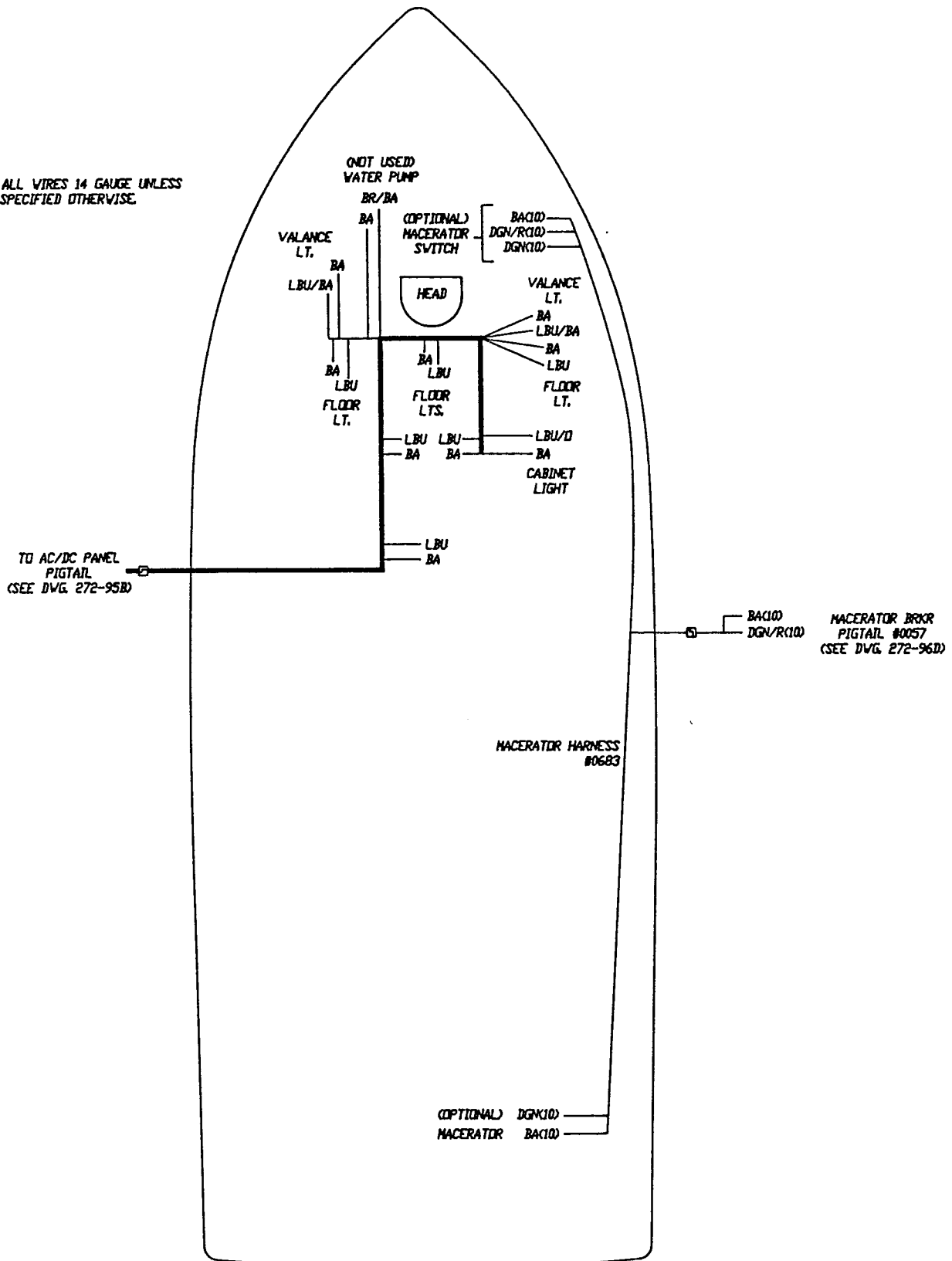
THUNDERBIRD PROD. P.O. BOX 501 DECATUR, IN 46733	TITLE VWC-500 INSTALLATION THUNDERBIRD PART NO.	
	DR BY R.E.	SCALE No
REV	BY	CK
1		
2		
3		
TOLERANCES UNLESS SPC		
DATE 4-26-90		
MATERIALS VS 474		

DR BY R.E.	SCALE No	TOLERANCES UNLESS SPC	REV	BY	CK
			1		
			2		
			3		
DATE 4-26-90					
MATERIALS VS 474					



TITLE: F-272 SRI		TO HIN # *
FUEL DIAGRAM		TO HIN # *
DR BY: KKR	CH BY: [Signature]	TO HIN # *
DATE: 2/15/88	NO.: 272-94	TO HIN # *
DR	CH	DATE
		FROM HIN # *
		FROM HIN # *
		FROM HIN # *
		FROM HIN # *
		FROM HIN # DB005
REVISIONS		
4		
3		
2		
1		
1		
THUNDERBIRD PRODUCTS P.O. BOX 501 DECATUR, IN 46733 (219) 724-9111		

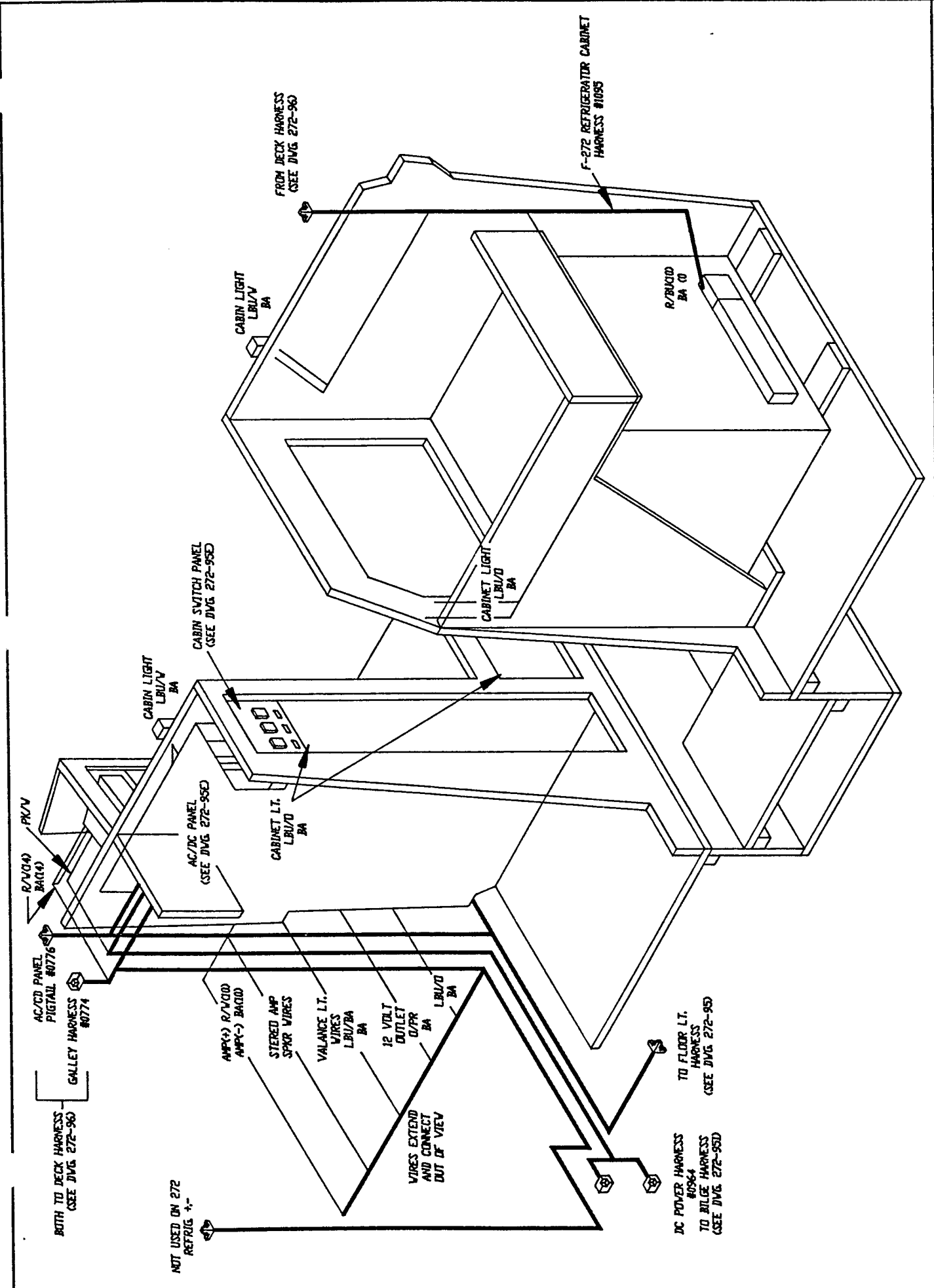
NOTES
 1) ALL WIRES 14 GAUGE UNLESS SPECIFIED OTHERWISE.



TITLE: F-272 SRI		HULL LAYOUT WIRING DIAGRAM		DR BY: KKR		CH BY: JAC		DATE: 2/9/88		NO.: 272-95	
NO.	DATE	CH	DATE	DR	CH	DATE	DR	CH	DATE	DR	CH
4											
3											
2											
1											
1											

THUNDERBIRD PRODUCTS
 P.O. BOX 501
 DECATUR, IN 46733
 (219) 724-9111

REVISIONS



THUNDERBIRD PRODUCTS P.O. BOX 501 DECATUR, IN 46733 (219) 724-9111			REVISIONS				TITLE: F-272 SRT GALLEY CABINET DIAGRAM DR BY: KKR LCH BY: ZM2 DATE: 2/15/88 NO: 272-95B						
REV	DATE	CH	BY	DESCRIPTION	FROM HIN #	TO HIN #	REV	DATE	CH	BY	DESCRIPTION	FROM HIN #	TO HIN #
1							1						
2							2						
3							3						
4							4						

- BATT. CHGR.
- REFRIGERATOR
- CABIN OUTLET
- ACC.
- AC PANEL

BULK WIRE 12/3



#0276

GFI
CABIN
OUTLET

F 272
F 292
F 311

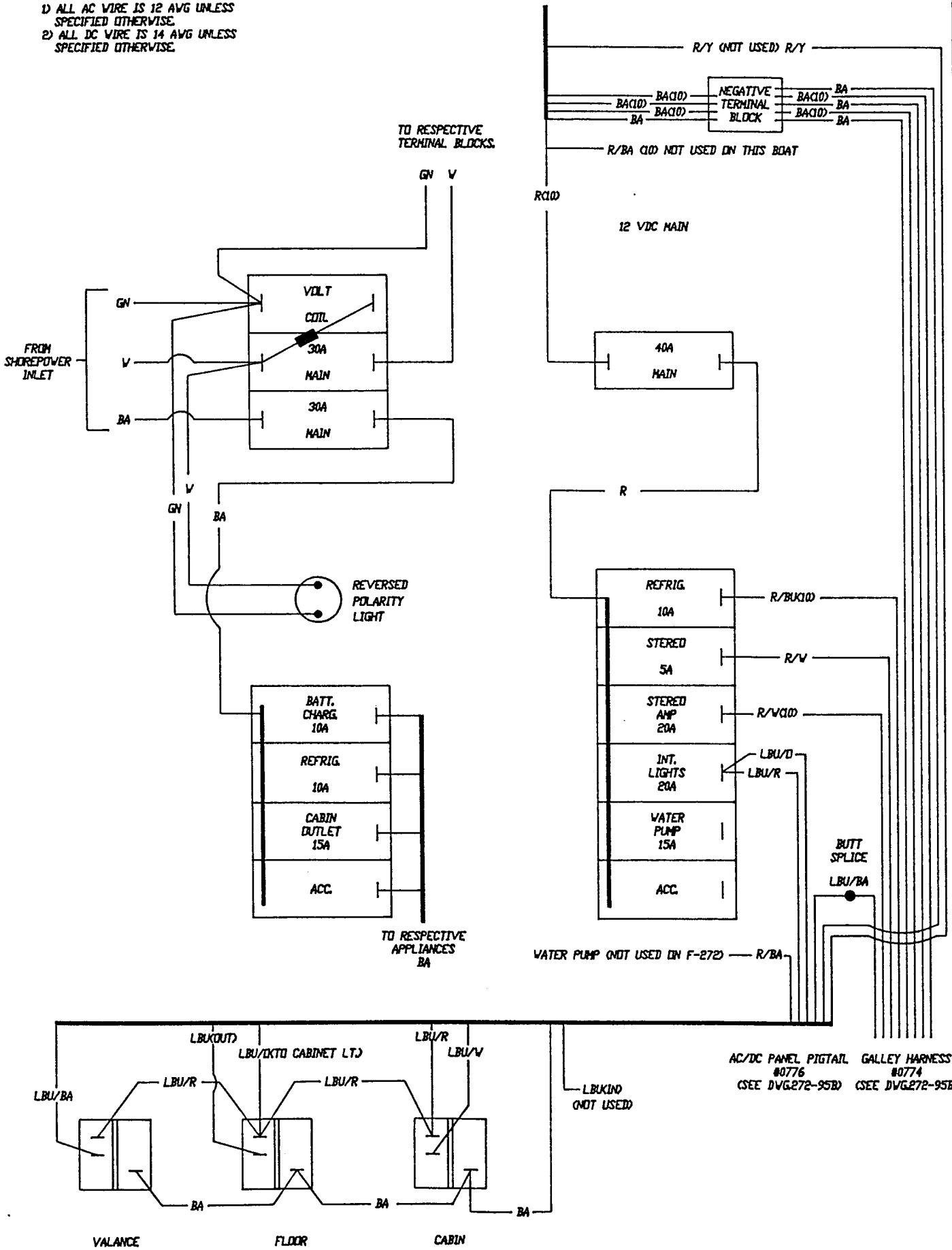
THUNDERBIRD	PROD.	TITLE	DR BY	SCALE	TOLERANCES	MATERIALS
P.O. BOX 501		GFI Diagram	PE		UNLESS SPC	VS 437
REVISION		F272	CK BY	DATE	1	
		F292				
		F311				

NOTES:

- 1) ALL AC WIRE IS 12 AWG UNLESS SPECIFIED OTHERWISE.
- 2) ALL DC WIRE IS 14 AWG UNLESS SPECIFIED OTHERWISE.

FROM BILGE HARNESS #0803
(SEE DVG.272-96)

FROM DC POWER
PIGTAIL #0964



TITLE: F-272 SRT
AC/DC PANEL WIRING
DIAGRAM
DR BY: KKR/GH BY: PZ
DATE: 02/09/88 NO. 272-95E

TO HIN #	FROM HIN #	DATE	DR	CH	REVISIONS
*	*				
*	*				
*	*				
*	*				

TO HIN #	FROM HIN #	DATE	DR	CH	REVISIONS
*	*				
*	*				
*	*				
*	*				

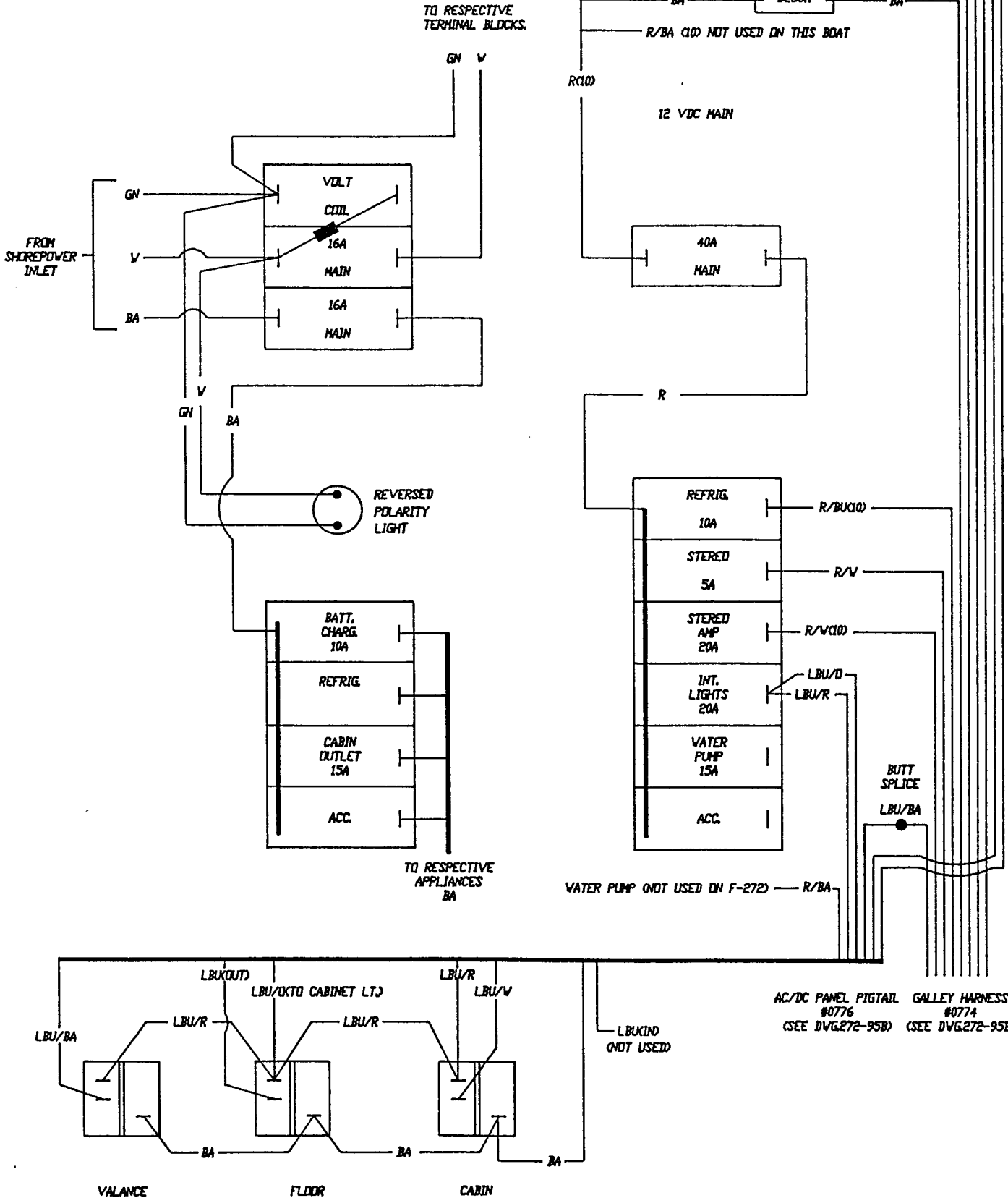
THUNDERBIRD PRODUCTS
P.O. BOX 501
DECATUR, IN 46733
(219) 724-9111

NOTES

- 1) ALL AC WIRE IS 12 AWG UNLESS SPECIFIED OTHERWISE.
- 2) ALL DC WIRE IS 14 AWG UNLESS SPECIFIED OTHERWISE.

FROM BILGE HARNESS #0803
(SEE DWG.272-96)

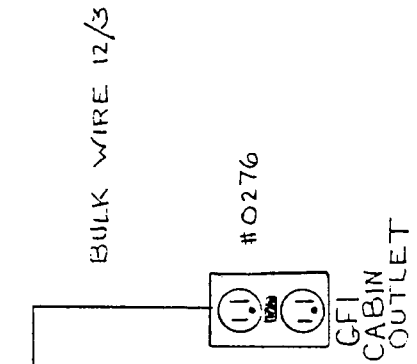
FROM DC POWER
PIGTAIL #0964



TITLE: F-272 SRI			
AC/DC PANEL WIRING			
DIAGRAM(220 VAC)			
DR BY: KKR	CH BY: JAC		
DATE: 02/08/88	NO: 272-955e		
TO HIN #	TO HIN #	TO HIN #	TO HIN #
FROM HIN #	FROM HIN #	FROM HIN #	FROM HIN #
DR	CH	DATE	REVISIONS
			4
			3
			2
			1
			0

THUNDERBIRD PRODUCTS
P.O. BOX 501
DECATUR, IN 46733
(219) 724-9111

- BATT. CHGR.
- REFRIGERATOR
- CABIN OUTLET
- ACC.
- AC PANEL



F 272
 F 292
 F 311

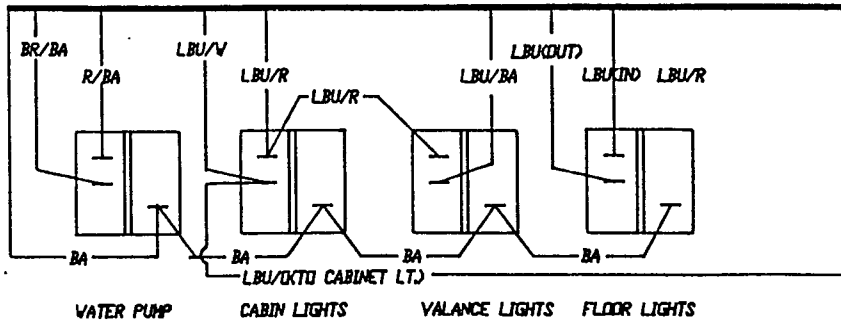
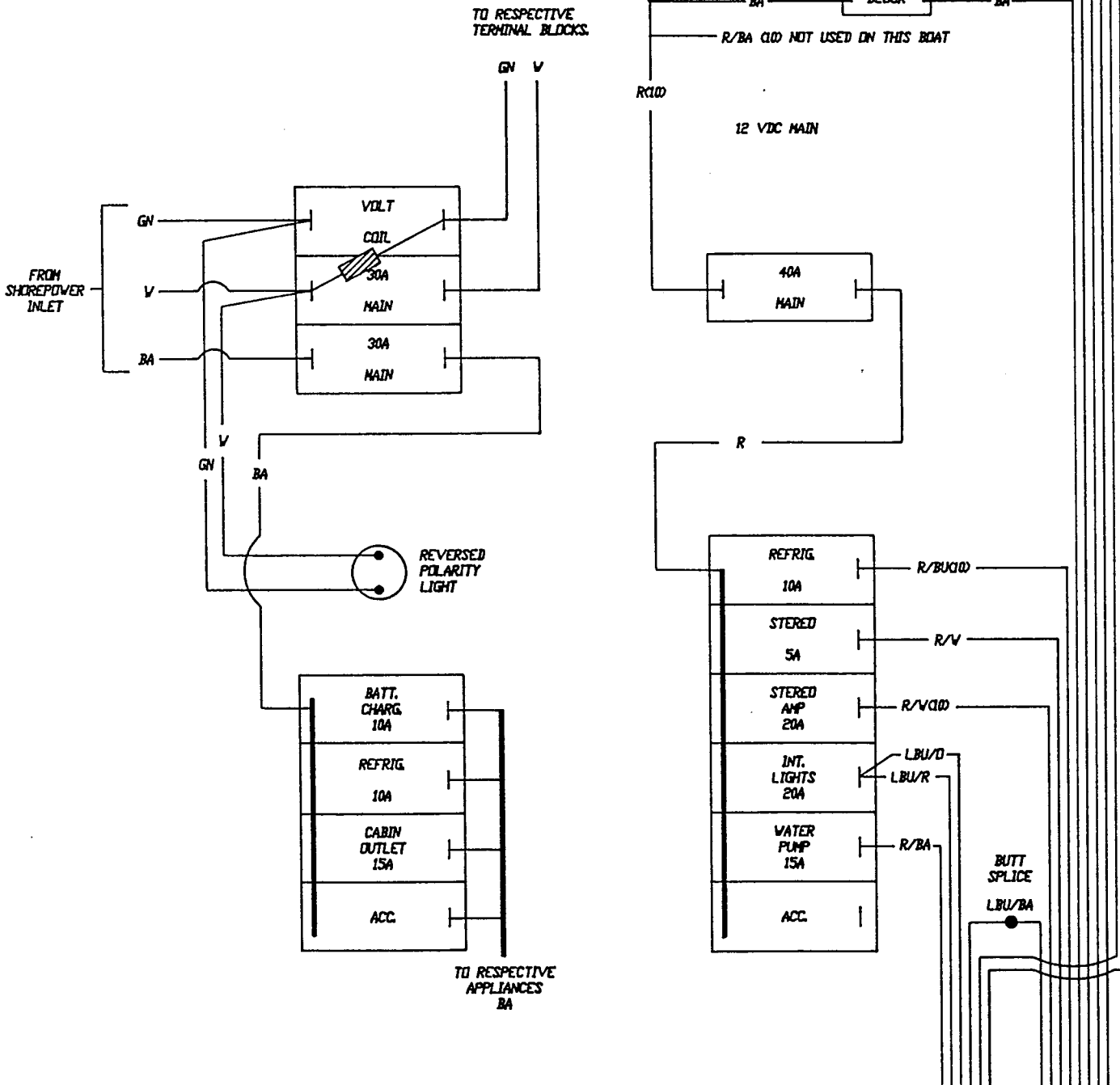
THUNDERBIRD	PROD.	TITLE	DR BY	SCALE	TOLERANCES	MATERIALS
P.O. BOX 501		GFI Diagram	PE		UNLESS SPC	
SECATIP IN		F 272			3	
		F 292			2	
		F 311			1	VS 437
			CK BY	DATE		

FROM BILGE HARNESS #0803
(SEE DVG.292-96)

FROM DC POWER
PIGTAIL #0964

NOTES:

- 1) ALL AC WIRE IS 12 AWG UNLESS SPECIFIED OTHERWISE.
- 2) ALL DC WIRE IS 14 AWG UNLESS SPECIFIED OTHERWISE.

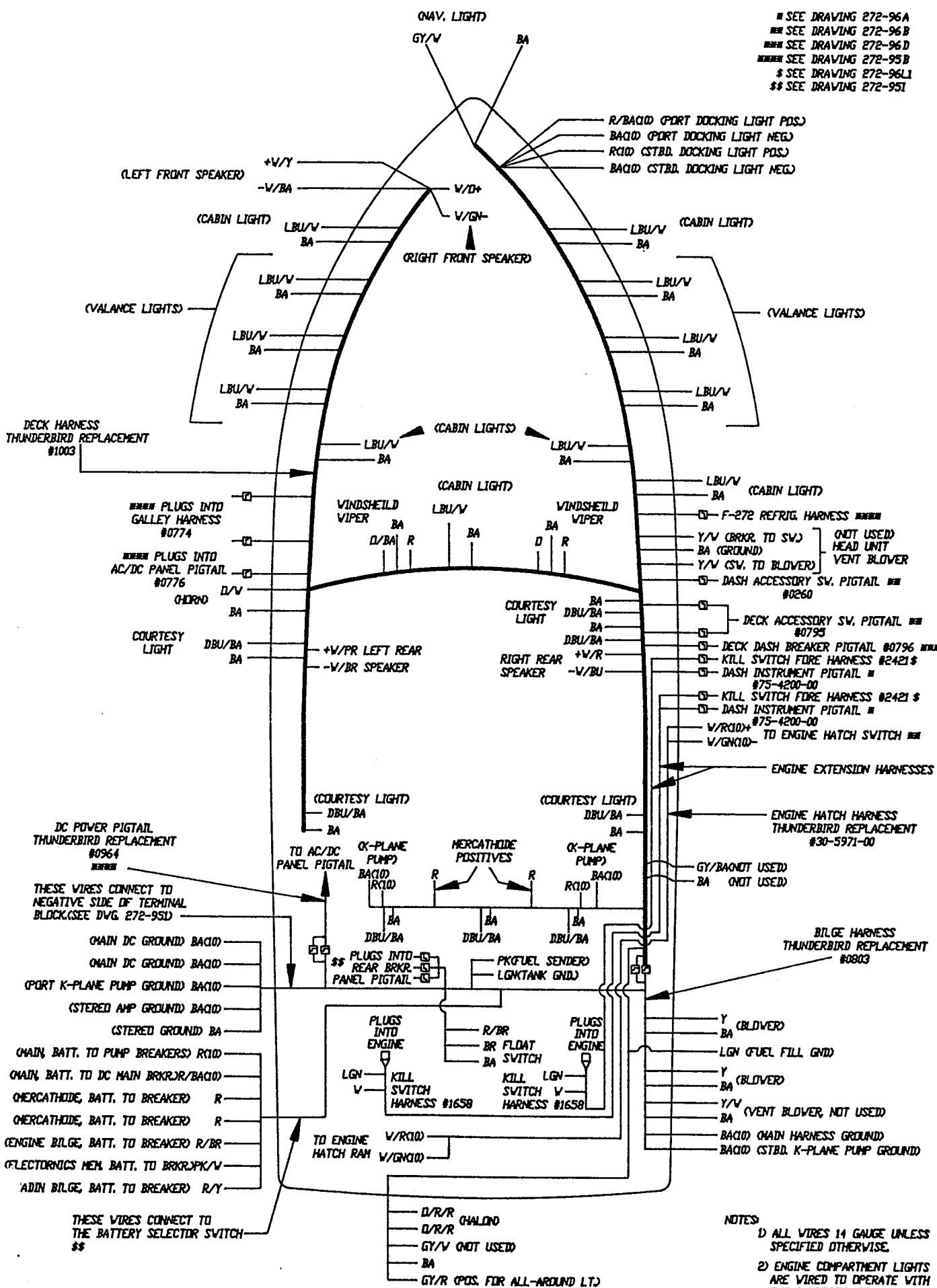


AC/DC PANEL PIGTAIL GALLEY HARNESS
#0776 #0774
(SEE DVG.292-95B) (SEE DVG.292-95B)

TITLE: F-292 SRT AC/DC PANEL WIRING		DIAGRAM		DR BY: KKR		CH BY: JAA		DATE: 02/09/88		NO.: 292-95E	
TO HIN #	TO HIN #	TO HIN #	TO HIN #	TO HIN #	TO HIN #	TO HIN #	TO HIN #	TO HIN #	TO HIN #	TO HIN #	TO HIN #
FROM HIN #	FROM HIN #	FROM HIN #	FROM HIN #	FROM HIN #	FROM HIN #	FROM HIN #	FROM HIN #	FROM HIN #	FROM HIN #	FROM HIN #	FROM HIN #
DR	CH	DATE	DR	CH	DATE	DR	CH	DATE	DR	CH	DATE
REVISIONS											
1	2	3	4	5	6	7	8	9	10	11	12

THUNDERBIRD PRODUCTS
P.O. BOX 501
DECATUR, IN 46733
(219) 724-9111

■ SEE DRAWING 272-96A
 ■ SEE DRAWING 272-96B
 ■ SEE DRAWING 272-96D
 ■ SEE DRAWING 272-95B
 \$ SEE DRAWING 272-96LJ
 \$\$ SEE DRAWING 272-95I

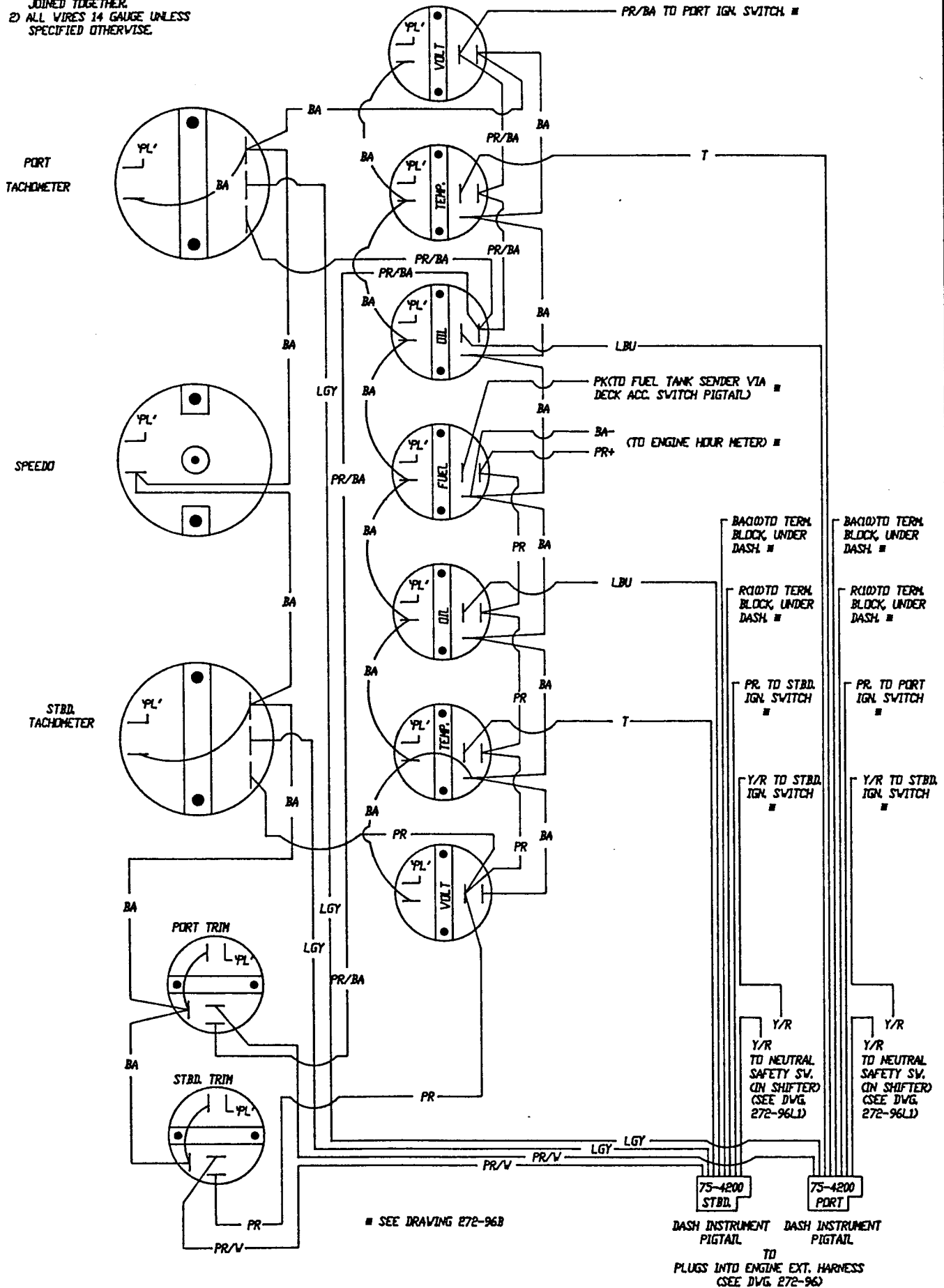


TITLE: F-272 SRI		LAYOUT WIRING	
FROM HIN #		TO HIN #	
FROM HIN #		TO HIN #	
FROM HIN #		TO HIN #	
FROM HIN #		TO HIN #	
DR	CH	DATE	REVISIONS
			1
			2
			3
			4
THUNDERBIRD PRODUCTS P.O. BOX 501 DECATUR, IN 46733 (219) 724-9111			

NOTES:
 1) ALL WIRES 14 GAUGE UNLESS SPECIFIED OTHERWISE.
 2) ENGINE COMPARTMENT LIGHTS ARE WIRED TO OPERATE WITH THE COURTESY LIGHTS.

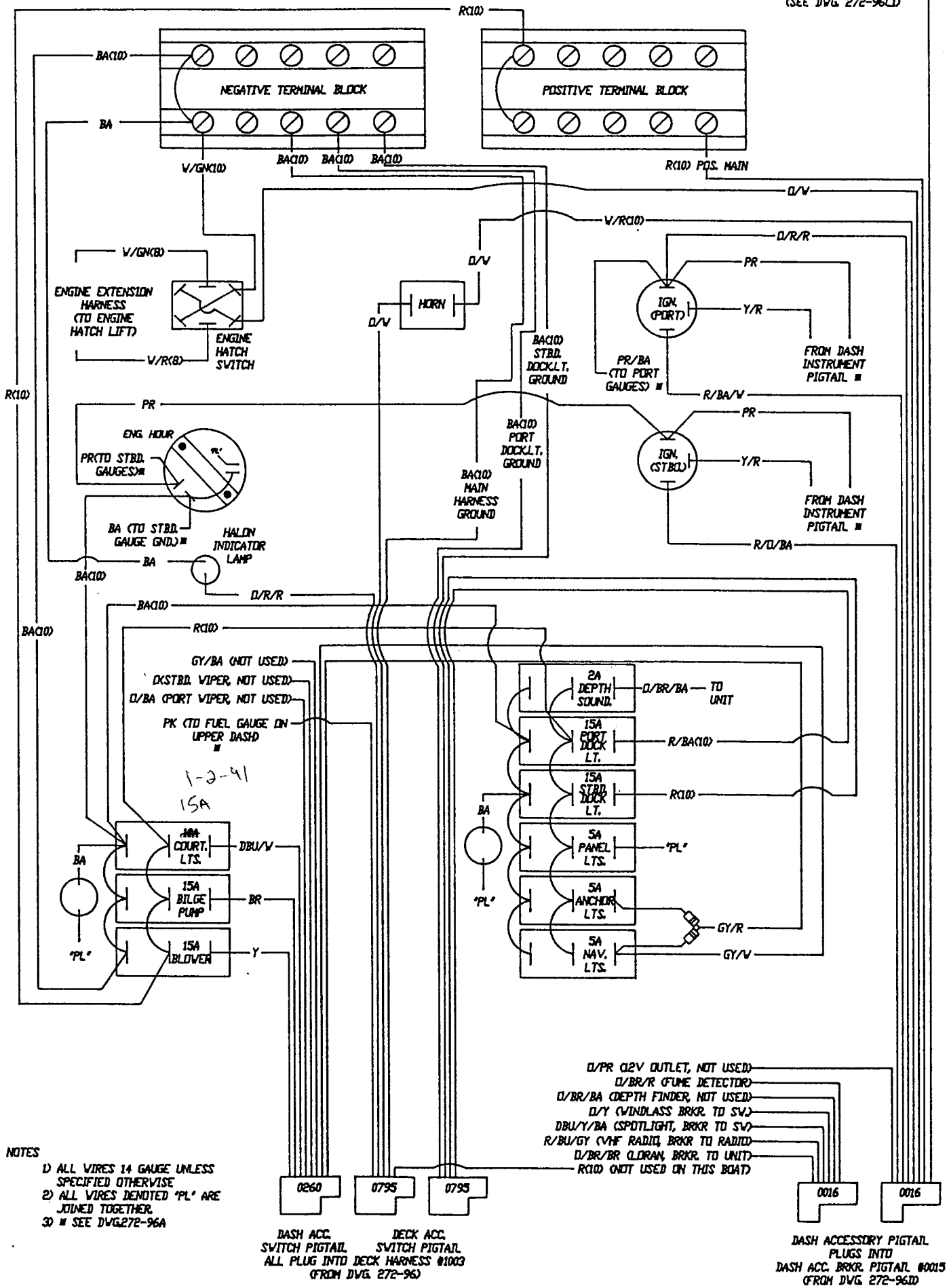
NOTES

- 1) ALL WIRES DENOTED 'PL' JOINED TOGETHER.
- 2) ALL WIRES 14 GAUGE UNLESS SPECIFIED OTHERWISE.



TITLE: F-272 SR1		UPPER DASH		WIRING DIAGRAM		DR BY: DLB LCH BY: MKZ		DATE: 11-11-67		NO: 272-96A	
FROM HIN #	TO HIN #	FROM HIN #	TO HIN #	FROM HIN #	TO HIN #	FROM HIN #	TO HIN #	DR	CH	DATE	REVISIONS
											4
											3
											2
											1
											7
THUNDERBIRD PRODUCTS P.O. BOX 501 DECATUR, IN 46733 (219) 724-9111											

D/GN (TO TRIM TAB SWITCHES / NOT USED WITH K-PLANES)
(SEE DVG. 272-96LD)



NOTES
 1) ALL WIRES 14 GAUGE UNLESS SPECIFIED OTHERWISE
 2) ALL WIRES DENOTED "PL" ARE JOINED TOGETHER.
 3) # SEE DVG.272-96A

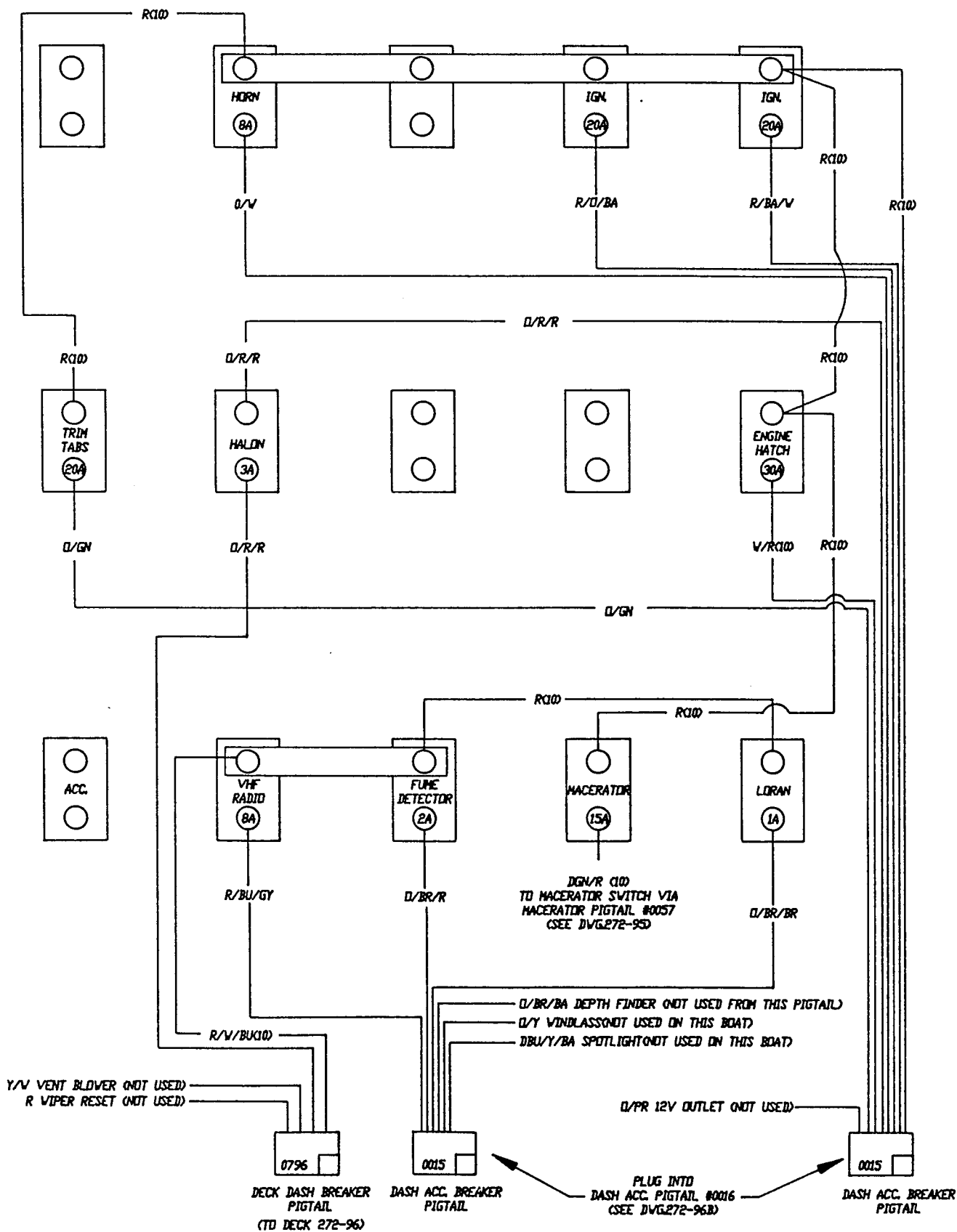
DASH ACC. SWITCH PIGTAIL DECK ACC. SWITCH PIGTAIL
 ALL PLUG INTO DECK HARNESS #1003 (FROM DVG. 272-96)

DASH ACCESSORY PIGTAIL PLUGS INTO DASH ACC. BRKR. PIGTAIL #0013 (FROM DVG. 272-96D)

TITLE: F-272 SRI		TO HIN # *	FROM HIN # *	DR	CH	DATE
LOWER DASH WIRING DIAGRAM		TO HIN # *	FROM HIN # *			
DR BY: KKR CH B.Y./K		TO HIN # *	FROM HIN # *			
DATE: 2-28-88 NO.: 272-96B		TO HIN # *	FROM HIN # *			
THUNDERBIRD PRODUCTS		TO HIN # *	FROM HIN # *			
P.O. BOX 501		TO HIN # *	FROM HIN # *			
DECATUR, IN 46733		TO HIN # *	FROM HIN # *			
(219) 724-9111		TO HIN # *	FROM HIN # *			
		REVISIONS				

NOTES

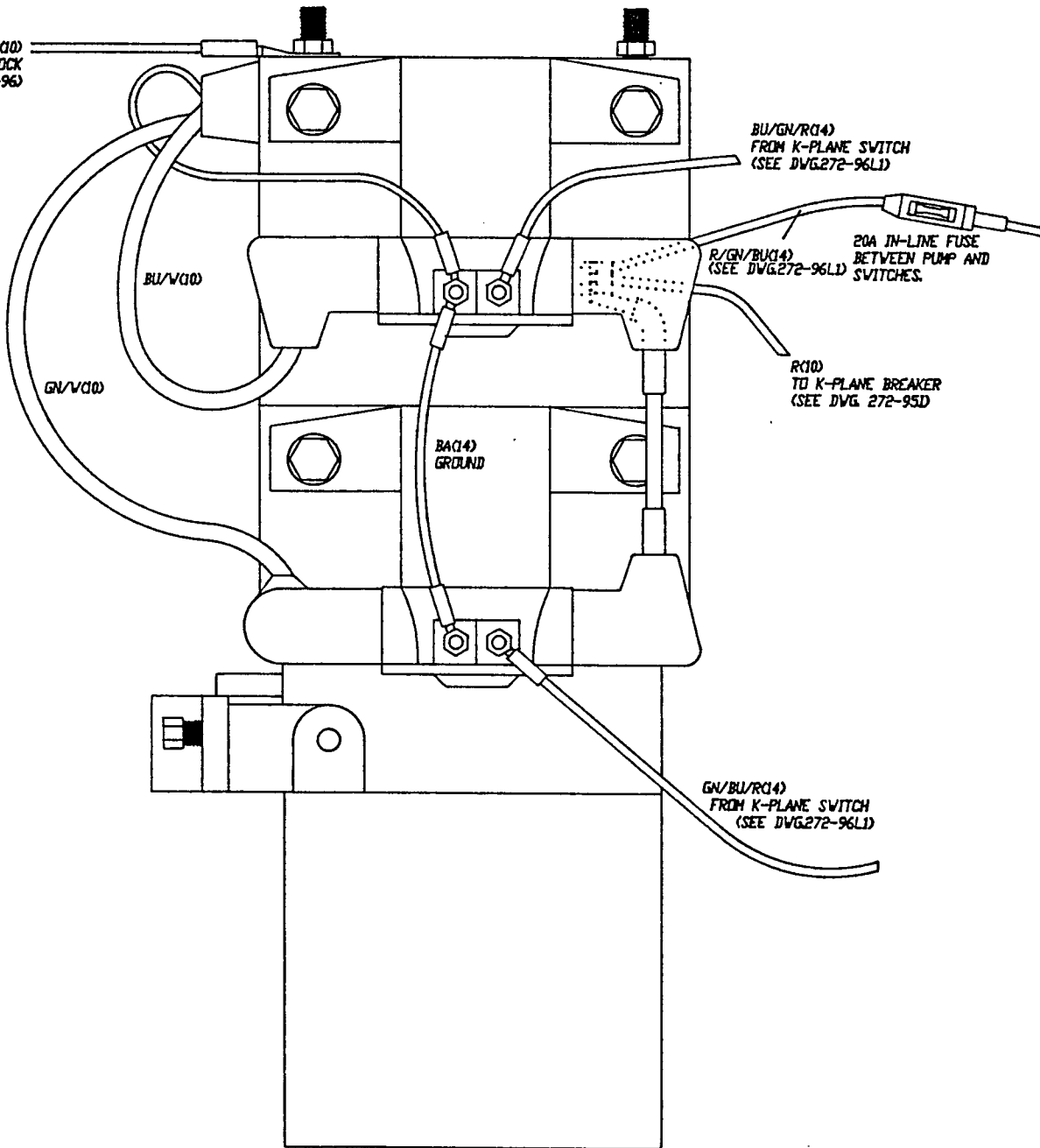
1) ALL WIRES 14 GAUGE UNLESS SPECIFIED OTHERWISE



TITLE: F-272 SRI				
DASH BREAKER				
PANEL WIRING DIAGRAM				
DR BY: KKR LCH BY: P/L				
DATE: 2/29/88 NO.: 272-96D				
REV	DATE	CH	DR	REVISIONS
1				TO HIN #
2				FROM HIN #
3				FROM HIN #
4				FROM HIN #

THUNDERBIRD PRODUCTS
P.O. BOX 501
DECATUR, IN 46733
(219) 724-9111

BAC10
TO DISTRIBUTION BLOCK
(SEE DWG 272-96)



BU/GN/RQ(14)
FROM K-PLANE SWITCH
(SEE DWG.272-96L1)

20A IN-LINE FUSE
BETWEEN PUMP AND
SWITCHES.

R/GN/BU(14)
(SEE DWG.272-96L1)

R(10)
TO K-PLANE BREAKER
(SEE DWG. 272-95D)

BAC(14)
GROUND

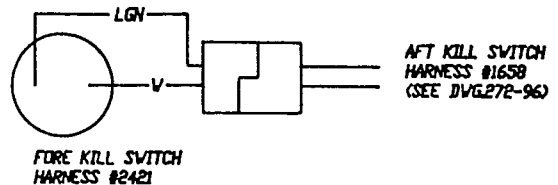
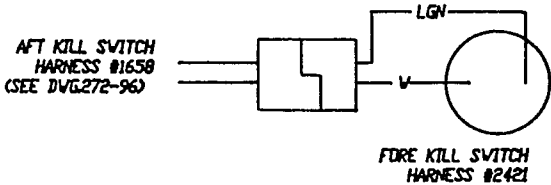
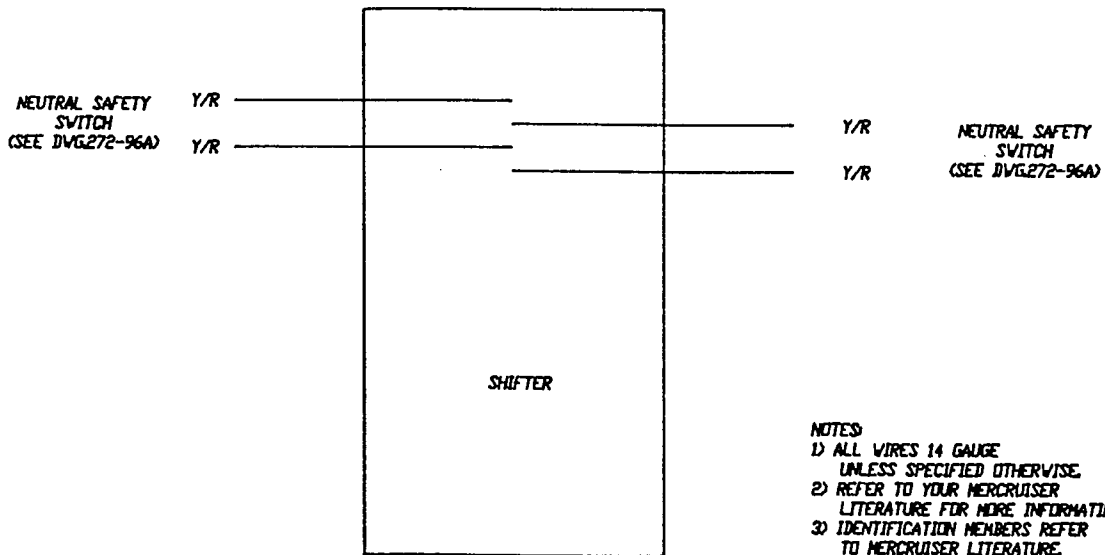
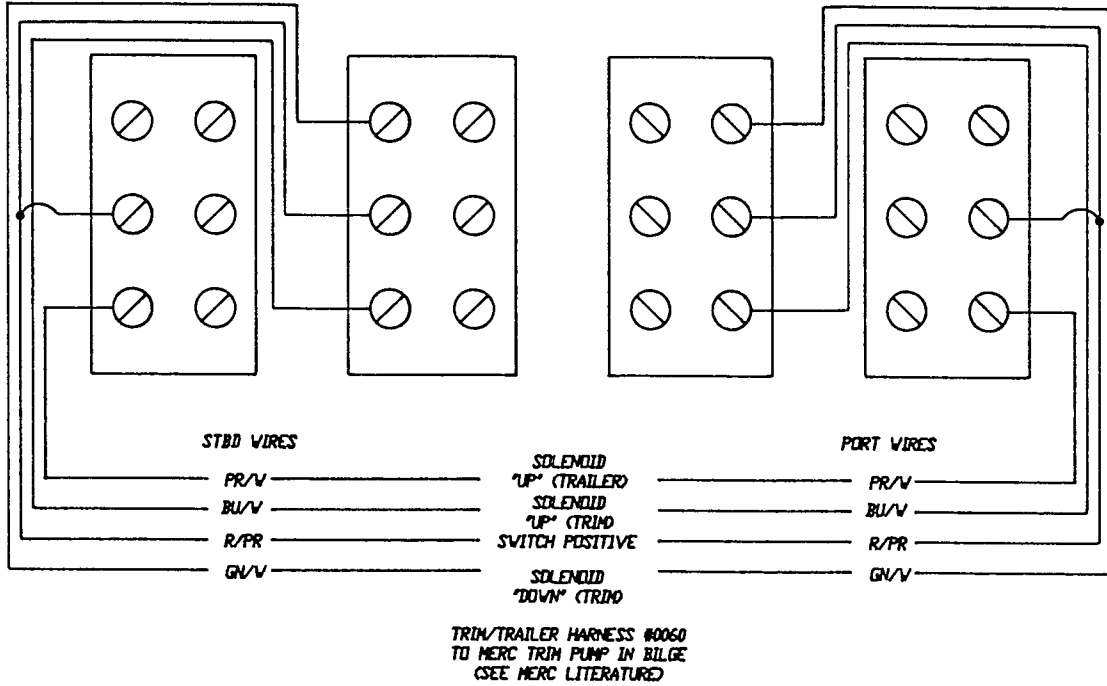
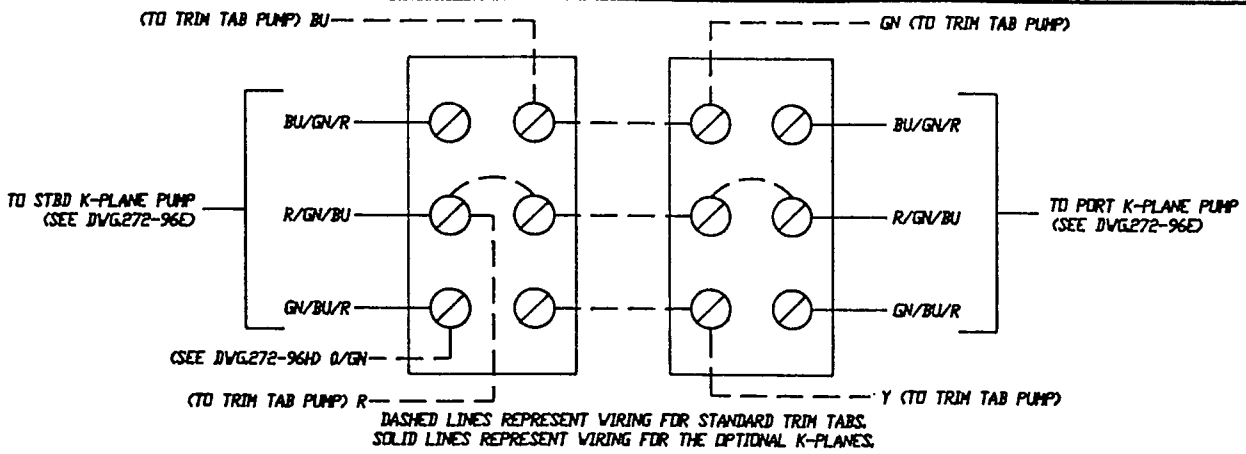
GN/BU/RQ(14)
FROM K-PLANE SWITCH
(SEE DWG.272-96L1)

TITLE: F-272 SR1		K-PLANE PUMP DIAGRAM		DR BY: KKR		CH BY: JAZ		DATE: 2/9/88		NO.: 272-96B	
REV	DATE	CH	DATE	DR	CH	DATE	DR	CH	DATE	DR	CH
4											
3											
2											
1											
#											

THUNDERBIRD PRODUCTS
P.O. BOX 501
DECATUR, IN 46733
(219) 724-9111

REVISIONS

ONLY FOR BOATS WITHOUT TRS DRIVES



TITLE: F-272 SRT SHIFTER WIRING DIAGRAM		TO HIN # *	TO HIN # *	TO HIN # *	TO HIN # *	TO HIN # *
DR. BY: KKR	CH BY: JPK	FROM HIN # *	FROM HIN # *	FROM HIN # *	FROM HIN # *	FROM HIN # M1789
DATE: 1/7/88	NO.: 272-96L1	DR	CH	DATE	DR	REVISIONS
4	3	2	1			
THUNDERBIRD PRODUCTS P.O. BOX 501 DECATUR, IN 46733 (219) 724-9111						