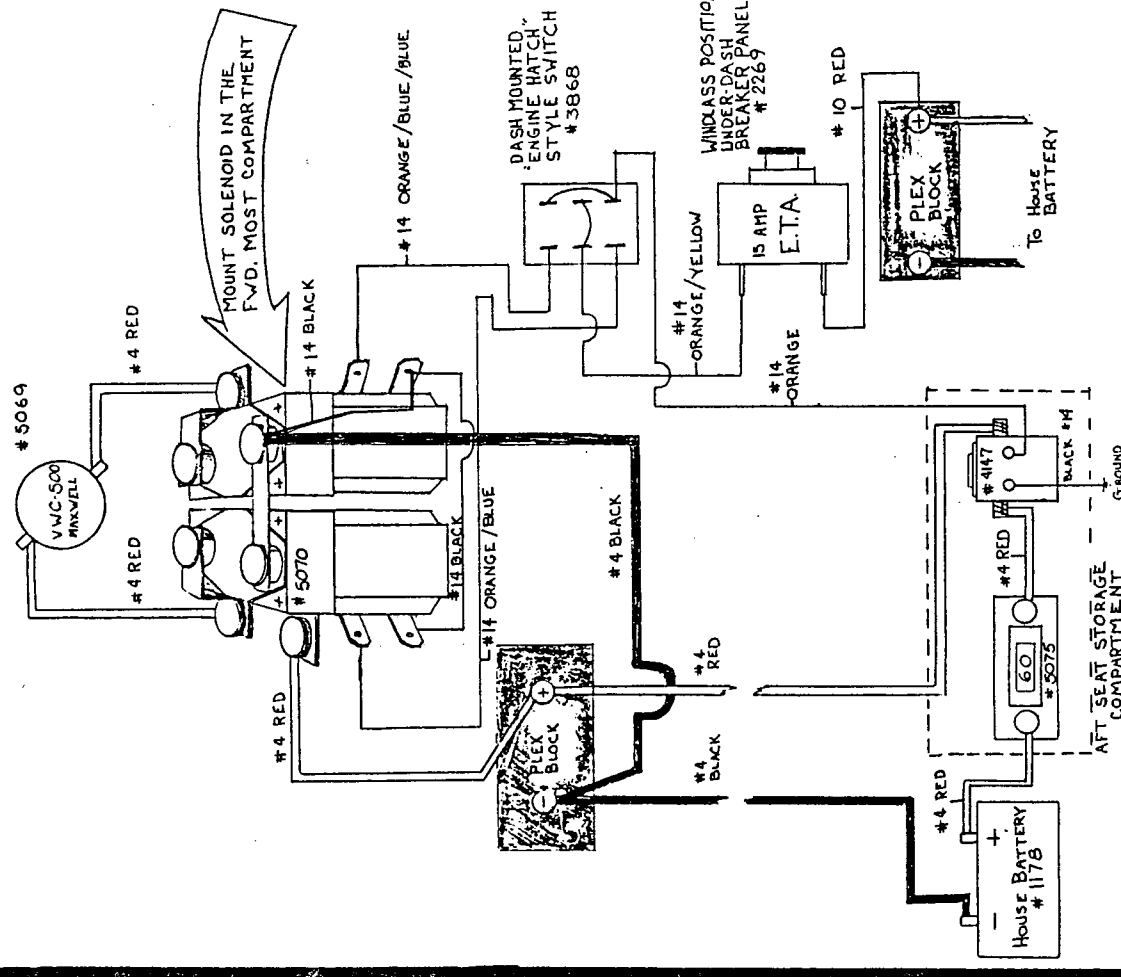


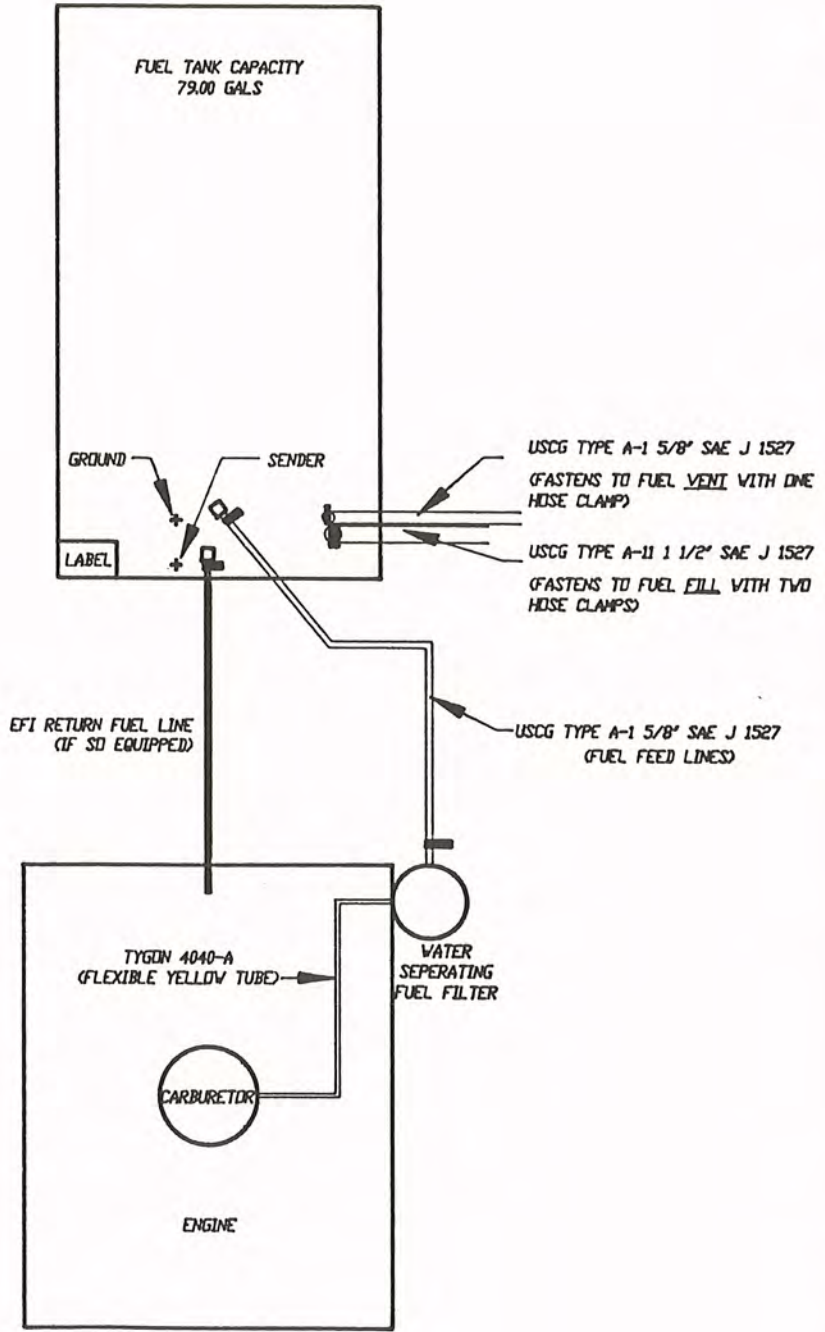
WINGLESS DIAGRAM VWC-500  
F29PC THRU F29PC

THUNDERBIRD PROD. TITLE  
P.O. BOX 501 VWC-500 INSTALLATION  
DECATUR, IN 46733 THUNDERBIRD PART NO.



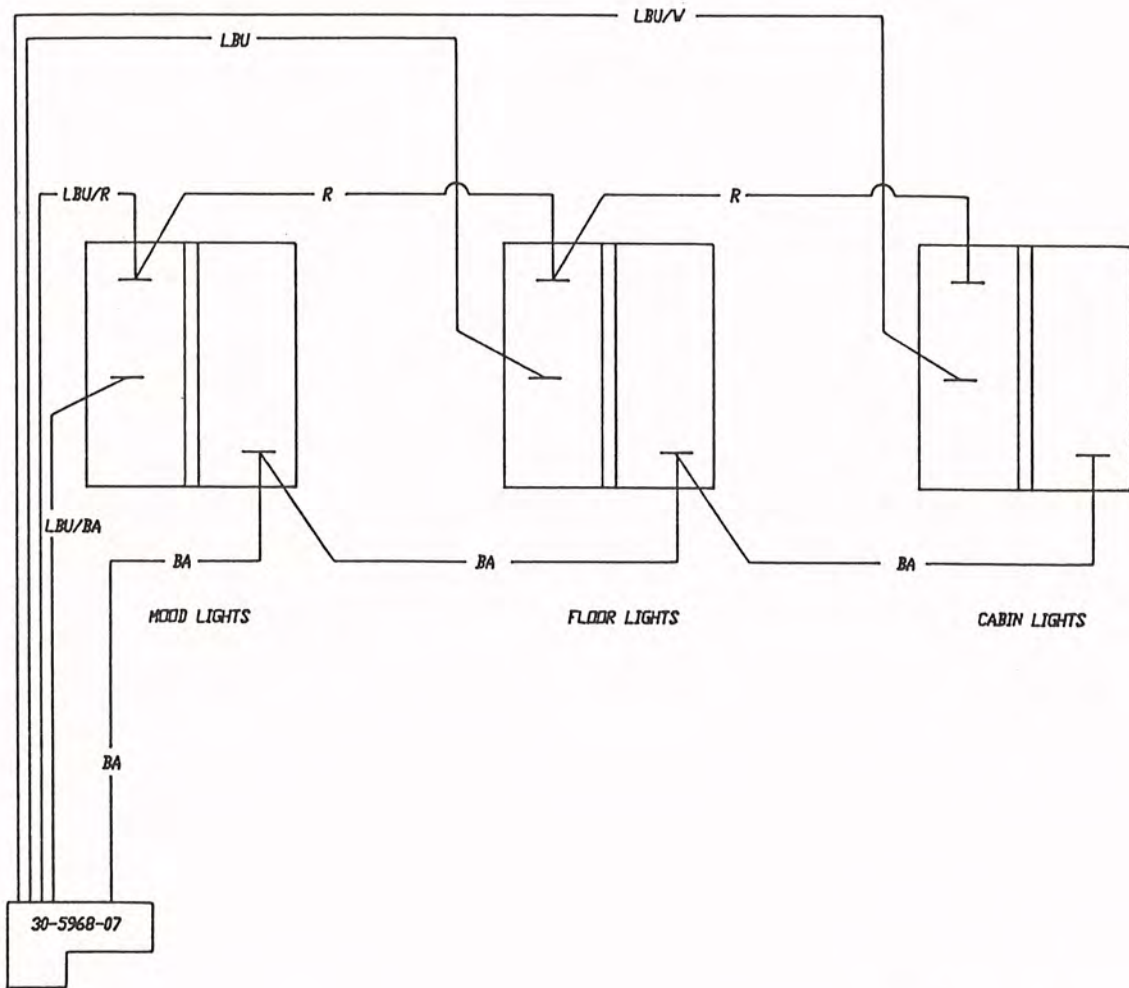
WINGLESS DIAGRAM VWC-500  
F206 THRU F419

DR BY SCALE TOLERANCES 3  
R.E. No UNLESS SPC 2  
CK BY DATE 4-26-90 1  
REV BY CK DRW VS 474 MATERIALS



4	THUNDERBIRD PRODUCTS P.O. BOX 501 DECATUR, IN 46733 (219) 724-9111	DR	CH	DATE	FROM HIN #	TO HIN #	TITLE: F-223 LS FUEL DIAGRAM
3					FROM HIN #	TO HIN #	
2					FROM HIN #	TO HIN #	
1					FROM HIN #	TO HIN #	DR BY: KKR CH BY: [initials]
#					FROM HIN #	TO HIN #	DATE: 1-24-88 NO.: 223-94

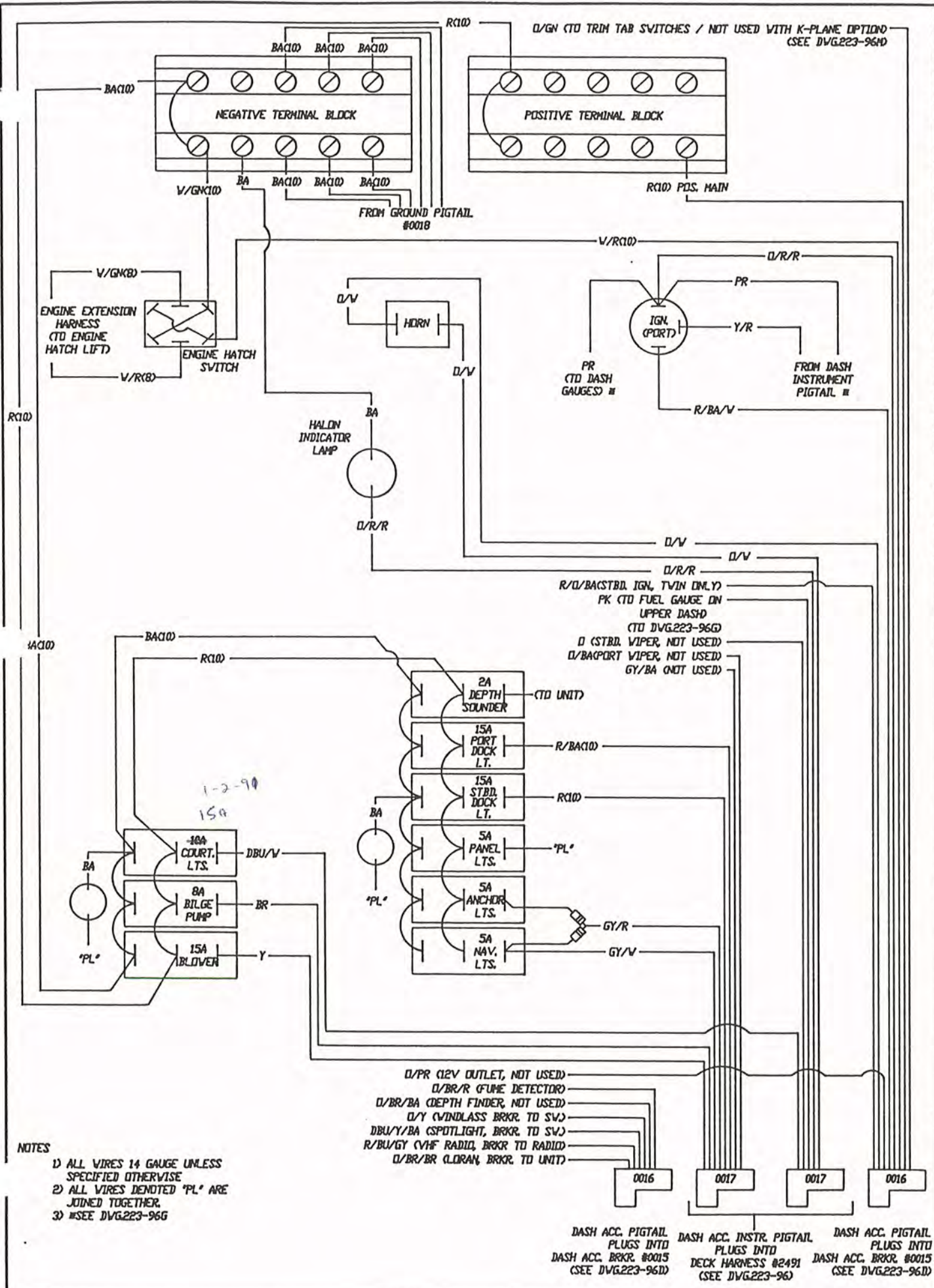
REVISIONS



INTERIOR LT. PIGTAIL  
PLUGS INTO  
DECK HARNESS #2491  
(SEE DVG.223-96)

NOTE:  
1) ALL WIRES 14 GAUGE UNLESS  
SPECIFIED OTHERWISE.

TITLE: F-223 LS		TO HIN # *	FROM HIN # *	DR	CH	DATE
CABIN SWITCH		TO HIN # *	FROM HIN # *			
DIAGRAM		TO HIN # *	FROM HIN # *			
DR BY: KKR		TO HIN # *	FROM HIN # *			
CH BY: JJK		TO HIN # *	FROM HIN # *			
DATE: 2-29-88		TO HIN # *	FROM HIN # *			
NO.: 223-95G		TO HIN # *	FROM HIN # *			
REVISIONS						
4						
3						
2						
1						
7						
THUNDERBIRD PRODUCTS						
P.O. BOX 501						
DECATUR, IN 46733						
(219) 724-9111						



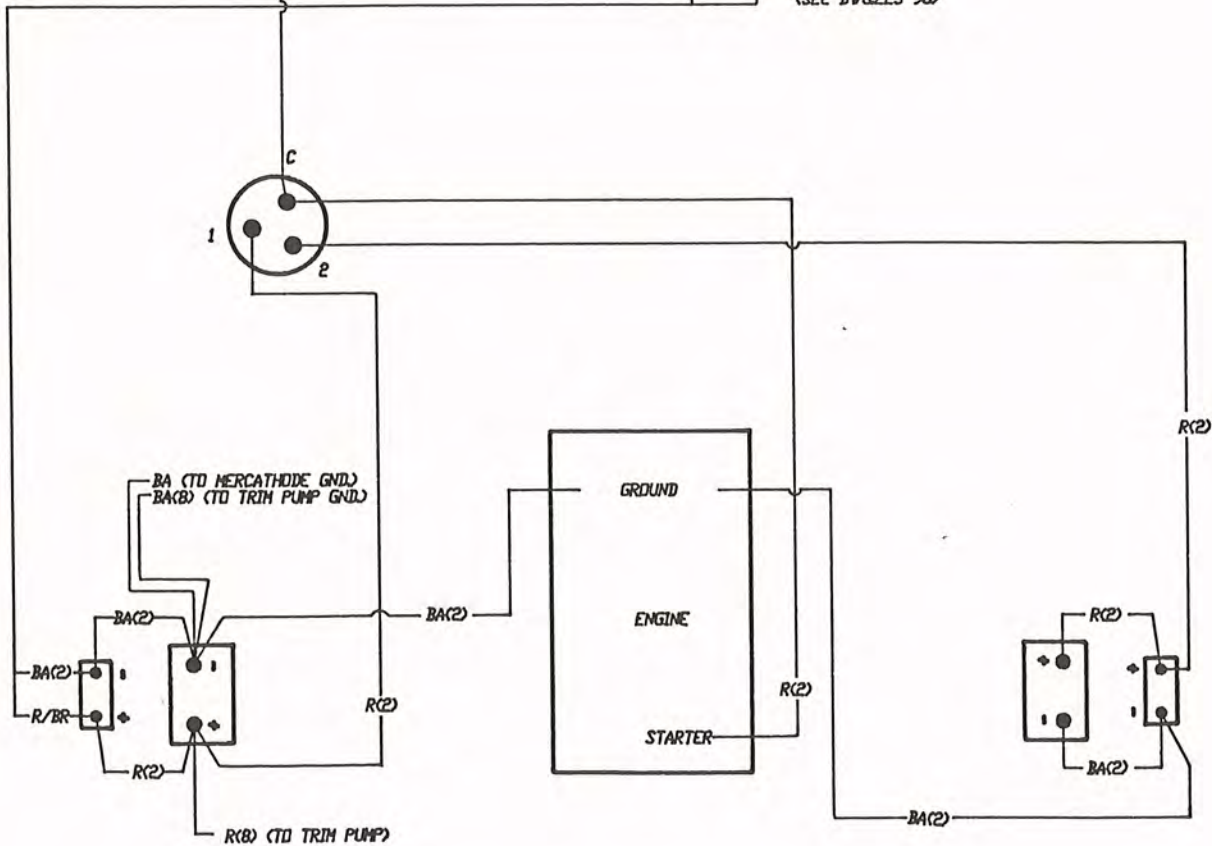
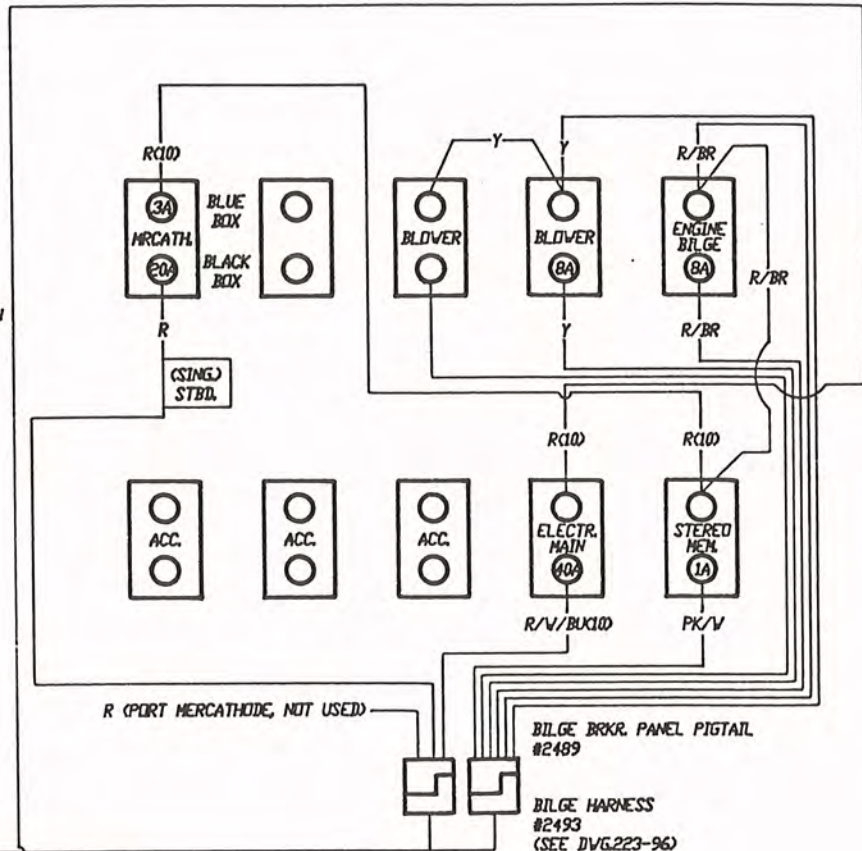
- NOTES
- 1) ALL WIRES 14 GAUGE UNLESS SPECIFIED OTHERWISE
  - 2) ALL WIRES DENOTED "PL" ARE JOINED TOGETHER.
  - 3) \*SEE DVG.223-96G

- D/PR (12V OUTLET, NOT USED)
- D/BR/R (FUME DETECTOR)
- D/BR/BA (DEPTH FINDER, NOT USED)
- D/Y (WINDLASS BRKR. TO SV)
- DBU/Y/BA (SPOTLIGHT, BRKR. TO SV)
- R/BU/GY (VHF RADIO, BRKR. TO RADIO)
- D/BR/BR (LORAN, BRKR. TO UNIT)

TITLE: F-223 LS		TO HIN #	FROM HIN #	DR	CH	DATE	FROM HIN #	M189	TO HIN #	TO HIN #	TO HIN #	TO HIN #
LOWER DASH		*	*				*	*	*	*	*	*
WIRING DIAGRAM		*	*				*	*	*	*	*	*
DR BY: KKR LCH BY: J/MS		*	*				*	*	*	*	*	*
DATE: 02-23-88		*	*				*	*	*	*	*	*
INO.: 223-96H		*	*				*	*	*	*	*	*
REVISIONS												
THUNDERBIRD PRODUCTS												
P.O. BOX 501												
DECATUR, IN 46733												
(219) 724-9111												



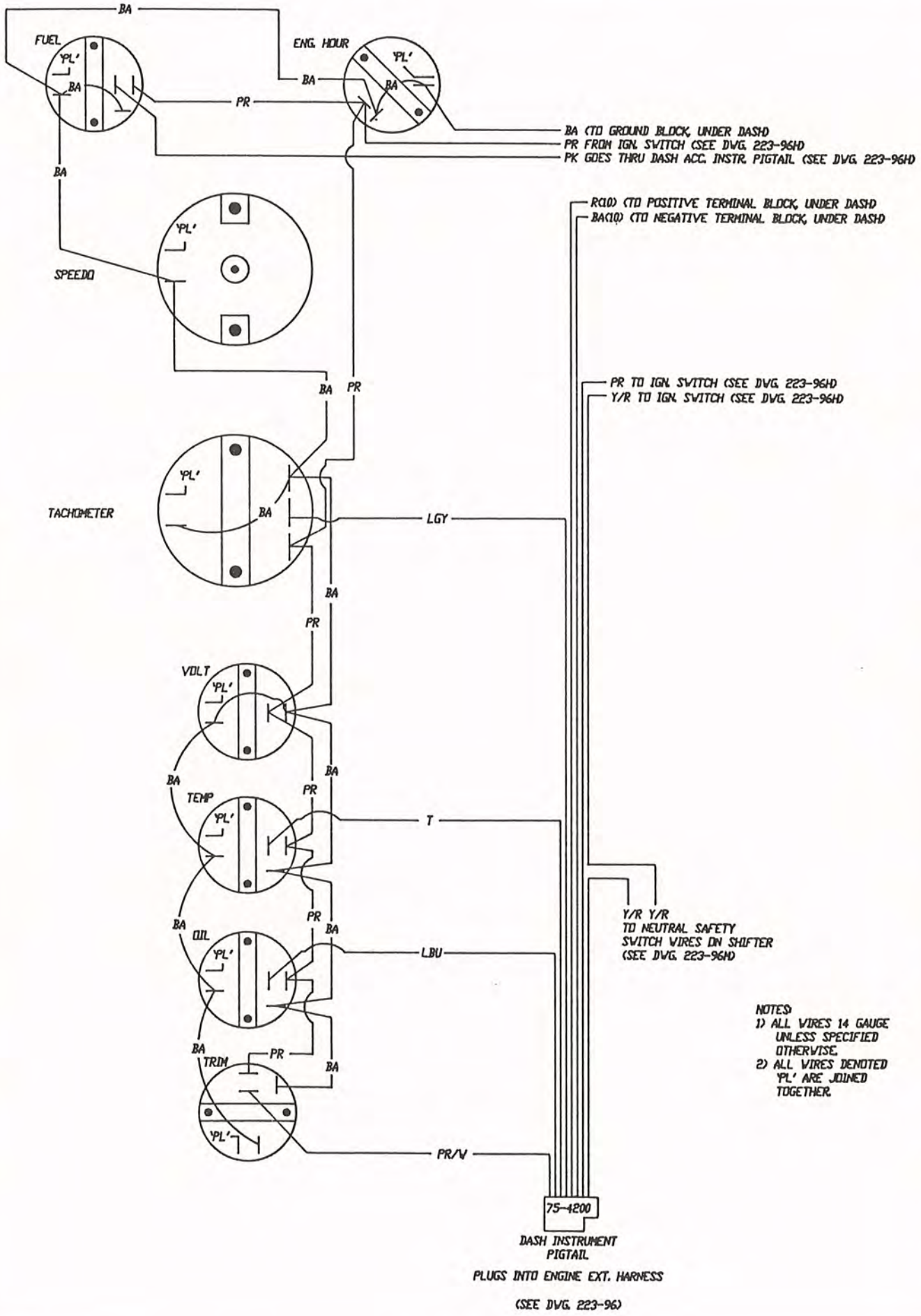
- NOTES  
 1) MERCATHODE BRKR NOT REQUIRED WITH SINGLE BATTERY INSTALLATION  
 2) ALL WIRES 14 GAUGE UNLESS SPECIFIED OTHERWISE



TITLE: F-223 LS		TO HIN # *	FROM HIN # *	DR	CH	DATE
BILGE WIRING		TO HIN # *	FROM HIN # *			
DIAGRAM		TO HIN # *	FROM HIN # *			
DR BY: KKR CH BY: R/L		TO HIN # *	FROM HIN # *			
DATE: 2/15/88 NO: 223-95A		TO HIN # *	FROM HIN # M789			
REVISIONS						
4						
3						
2						
1						
THUNDERBIRD PRODUCTS						
P.O. BOX 501						
DECATUR, IN 46733						
(219) 724-9111						



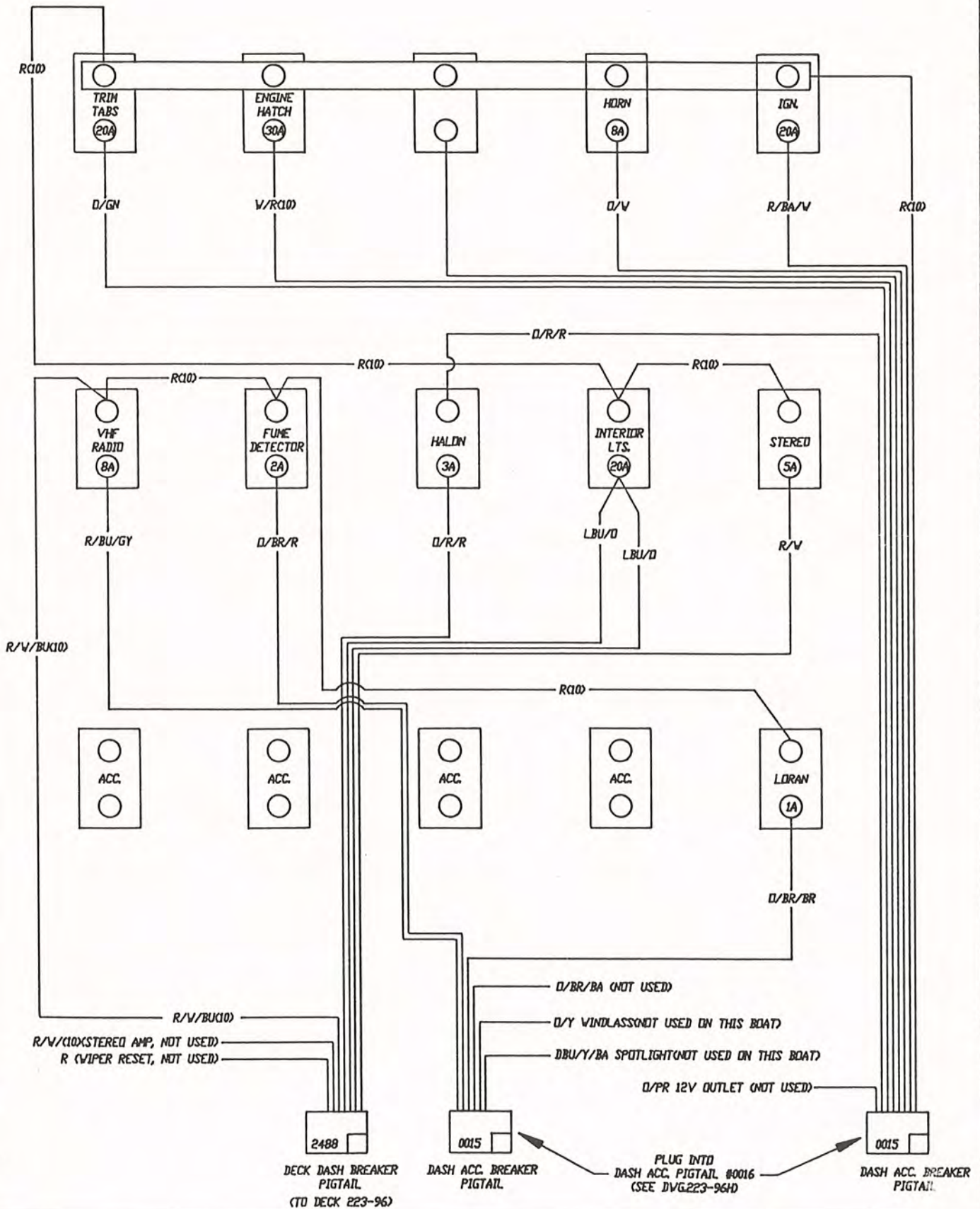




TITLE: F-223 LS		UPPER DASH		WIRING DIAGRAM		DR BY: KKR		CH BY: JAZ		DATE: 2/22/88		NO.: 223-96G	
4	FROM HIN #	TO HIN #											
3	FROM HIN #	TO HIN #											
2	FROM HIN #	TO HIN #											
1	FROM HIN #	TO HIN #											
	FROM HIN #	TO HIN #	D7230										
	DR	CH	DATE										
REVISIONS													
THUNDERBIRD PRODUCTS P.O. BOX 501 DECATUR, IN 46733 (219) 724-9111													

NOTES:

1) ALL WIRES 14 GAUGE UNLESS SPECIFIED OTHERWISE



TITLE: F-223 LS  
DASH BREAKER  
PANEL WIRING DIAGRAM  
DR BY: KKR CH BY: JJA  
DATE: 2/29/88 NO.: 223-96D

DR	CH	DATE	FROM HIN #	TO HIN #
			FROM HIN #	TO HIN #
			FROM HIN #	TO HIN #
			FROM HIN #	TO HIN #
			FROM HIN #	TO HIN #
			FROM HIN #	TO HIN #

REVISIONS

4  
3  
2  
1  
#

THUNDERBIRD PRODUCTS  
P.O. BOX 501  
DECATUR, IN 46733  
(219) 724-9111